

**(19) AUSTRALIAN PATENT OFFICE**

(54) Title  
Apparatus and method for forming a clay slab

(51)<sup>6</sup> International Patent Classification(s)  
B28B 3/12 (2006.01) 20060101AFI2010041  
B28B 3/12 5BHAU

(21) Application No: 2010201104 (22) Application Date: 2010.03.22

(30) Priority Data

(31) Number (32) Date (33) Country  
12/383,537 2009.03.25 US

(43) Publication Date : 2010.10.14  
(43) Publication Journal Date : 2010.10.14

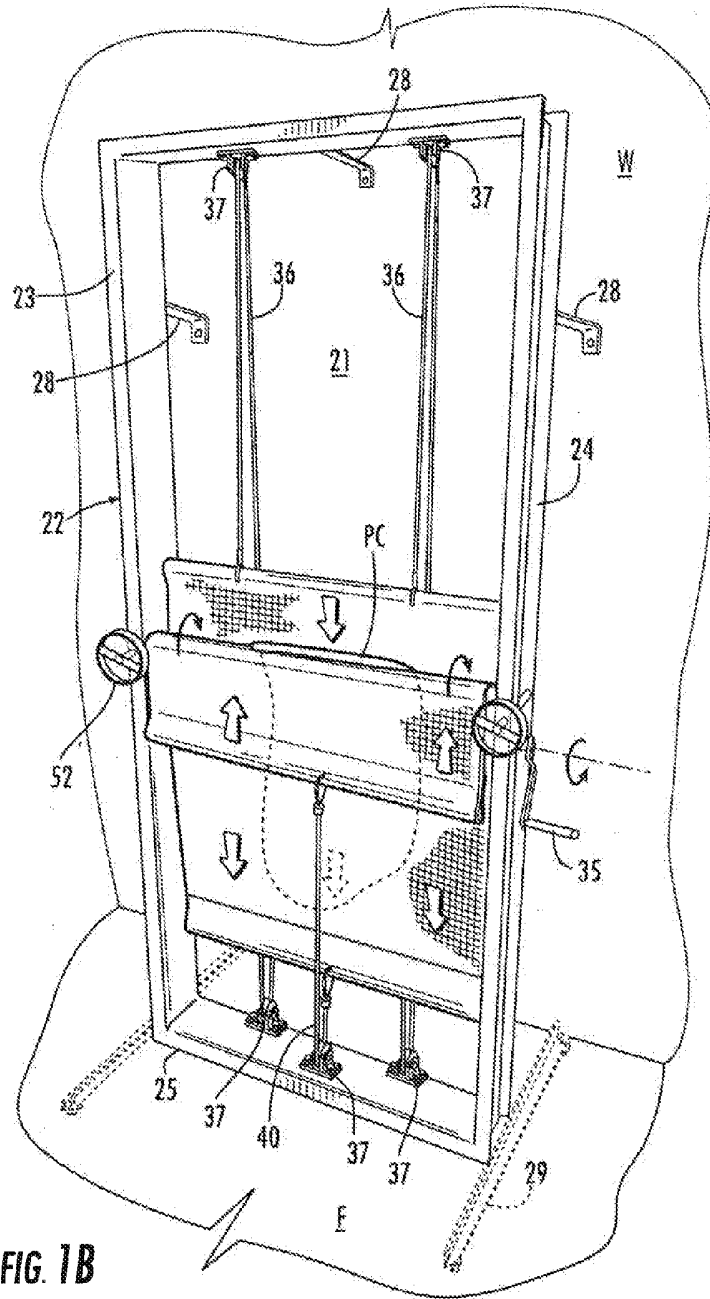
(71) Applicant(s)  
David Bellar

(72) Inventor(s)  
Bellar, David

(74) Agent/Attorney  
Lesicar Perrin, 58 Rundle Street (cnr The Parade West), Kent Town, SA, 5067

**ABSTRACT**

An apparatus and method for forming a clay slab includes a frame, a front panel  
5 supported on the frame and a rear panel supported on the frame. An outer cable  
is attached to the rear panel at one end and to the rear panel and to the front  
panel at another end. A rotatable drive axle is configured to simultaneously wind  
and unwind the outer cable and thereby move the front panel and the rear panel  
from an initial position to an intermediate position to draw a block of prepared  
10 clay into a gap defined by the front panel and the rear panel. The drive axle is  
further configured to simultaneously wind and unwind the outer cable in the  
opposite direction and thereby move the front panel and the rear panel from the  
intermediate position back to the initial position to remove the clay slab from the  
slab roller.



15569AU

**ORIGINAL**  
**Complete Specification**

---

**Applicant:** David Bellar  
**Applicant's address:** 2106 4<sup>th</sup> Street, NE, Hickory, North Carolina 28601, USA  
**Title:** Apparatus and method for forming clay slab  
**Inventor:** David Bellar  
**Inventor's Address:** 2106 4<sup>th</sup> Street, NE, Hickory, North Carolina 28601, USA  
**Priority:** Claiming priority from US patent application No. 12/383,537 dated 25<sup>th</sup> March 2009

## APPARATUS AND METHOD FOR FORMING A CLAY SLAB

5

### BACKGROUND OF THE INVENTION

[0001] The invention relates to an apparatus and method for forming a clay slab. More particularly, the invention is a slab roller and an associated method for working prepared clay into a relatively flat clay slab having a generally uniform thickness of the type used in making clay pottery, sculpture and artwork. In a preferred embodiment, the invention is a slab roller that is oriented in a vertical direction. In another preferred embodiment, the invention is a slab roller configured to draw prepared clay between opposed panels of a flexible material to form a relatively flat clay slab having a generally uniform thickness.

15 [0002] Clay used in making pottery, sculpture and artwork is typically cut from a large block of prepared clay and worked (also referred to as "molded") into a relatively flat clay slab having a generally uniform thickness. Various equipment and techniques are employed for working the clay depending on the desired size, shape and uniformity of the clay slab. Smaller clay slabs may be formed by hand using a rolling pin on a flat surface, such as a table top or counter, with or without guide rails for controlling the thickness of the clay slab. An example of a known apparatus for forming a clay slab by hand is commercially available under the trade name Activa® Slab Roller and includes a 10.5 inch rolling pin, a rolling board and a plurality of rails for forming clay slabs having various generally uniform thicknesses. Larger clay slabs are typically formed using a manually-operated slab roller machine mounted on a frame. In some instances, the rollers of the slab roller machine may be power-driven, for example by an electrical motor. Commercially available examples of power-driven slab roller machines include the Bailey™ tabletop Minimight™ Slab Roller, the convertible Brent® SR-

14 Slab Roller and the portable Amaco® Mini T-4 Slab Roller.

[0003] Regardless, all known slab rollers have the disadvantage that the slab roller is oriented in a horizontal direction so as to work the prepared clay and form the clay slab on a horizontal surface, such as a tabletop, counter or elongated workspace of the slab roller. However, a slab roller oriented in a horizontal direction occupies a substantial amount of floor space, which in most pottery, sculpture and artwork workshops is limited. Although some slab rollers are configured to be moved from a horizontal orientation for working to a vertical orientation for storage, such slab rollers still require a substantial amount of floor space while forming the clay slab and furthermore require an additional expenditure of manpower and time to convert the slab roller from the horizontal orientation to the vertical orientation. A horizontally oriented slab roller also provides no mechanical advantage to the process of molding the prepared clay into a relatively flat clay slab having a generally uniform thickness. In particular, feeding the prepared clay into the slab roller is not assisted by gravity. To the contrary, gravity works against the molding process with a conventional slab roller since the clay slab tends to bunch up as the weight of the prepared clay exiting the rollers experiences increasing friction with the horizontal table.

[0004] Another disadvantage of the known slab rollers is that one or more rollers are driven by a complex arrangement of cranks, gears, cables or the like, directly over the prepared clay. The driven rollers operate to apply a pushing force to the prepared clay, similar to a rolling pin, to form the generally planar clay slab. In many instances, a drive board or a panel of flexible material, such as a relatively thin sheet of plastic or canvas, is placed between the roller and the clay, or between the horizontal surface and the clay, to prevent adhesion of the clay to the rollers and the horizontal surface. The roller may also be knurled or provided with a roughened exterior surface so as to grip the sheet of flexible

material or drive board in a positive manner. The use of a driven roller to drive the clay often results in the clay slab having an undesirable grain direction and/or an uneven or rough exterior surface. A predetermined grain direction is undesirable because non-isotropic stress patterns can develop in the work piece

5 during firing and subsequent quenching, which may cause the finished piece to shift or warp. A clay slab having an uneven or rough exterior surface can result in the finished piece of clay pottery, sculpture or artwork having an undesirable exterior surface.

[0005] Other shortcomings and disadvantages inherent in slab rollers oriented

10 in a horizontal direction include the tendency for complicated gearboxes that transfer force from the crank to the rollers to wear out, fail or require frequent adjustment. In addition, the known slab rollers include inferior adjustment mechanisms for adjusting the distance between the driven rollers, and consequently, the thickness of the clay slab. Adjustment mechanisms for

15 existing slab rollers are not synchronized, and thus, do not always produce a clay slab having a generally uniform thickness. Furthermore, the panels of flexible material (e.g. canvas fabric) utilized with most existing slab rollers are not integrally formed or attached to one another in any manner. Accordingly, the panels must first be located, arranged on the slab roller and aligned, resulting in

20 a significant expenditure of set-up time before the clay slab can be formed. If the driven rollers are not adjusted accurately, or the loose canvas fabric is not positioned properly and carefully aligned, the prepared clay may tend to wander off to one side, thereby requiring the clay slab to be re-formed and resulting in a further expenditure of time.

25 [0006] Accordingly, there exists an unresolved need for an apparatus and method for forming a clay slab that overcomes the disadvantages of known slab rollers and associated methods. More specifically, there exists a need for a slab

roller for working prepared clay into a relatively flat clay slab having a generally uniform thickness of the type used in making clay pottery, sculpture and artwork. There exists a particular need for a slab roller that is not oriented in a horizontal direction so as to work prepared clay and form a clay slab on a horizontal surface, such as a tabletop, counter or elongated workspace of the slab roller. There also exists a particular need for a slab roller that does not utilize one or more driven rollers to drive prepared clay between panels of a flexible material, such as a relatively thin sheet of plastic or canvas, to form a clay slab.

#### **BRIEF SUMMARY OF THE INVENTION**

[0007] The aforementioned needs, objectives and advantages, as well as others that will be readily apparent to those of ordinary skill in the art, are provided by an apparatus and method for forming a relatively flat clay slab having a generally uniform thickness of the type used in making clay pottery, sculpture and artwork.

[0008] In one aspect, the invention is embodied by an apparatus for forming a clay slab including a frame, a first panel supported on the frame and a second panel supported on the frame. The first panel and the second panel defining a gap therebetween for forming the clay slab with the frame oriented in a vertical direction.

[0009] In a preferred embodiment, the first panel and the second panel are configured for movement in a vertical direction to form the clay slab. More particularly, the first panel and the second panel are configured for movement from an initial position to an intermediate position and from the intermediate position back to the initial position.

[0010] In another preferred embodiment, the first panel and the second panel are supported on the frame by at least one cable and the apparatus further



includes a drive axle configured for rotation to simultaneously wind and unwind the at least one cable about the drive axle. The apparatus may include a handle rigidly connected to the drive axle for manually rotating the drive axle.

5 [0011] In another preferred embodiment, the at least one cable comprises a pair of outer cables, each of the outer cables attached to a first shaft supporting a first end of the second panel at a first end of the outer cable and attached to a second shaft supporting a second end of the second panel and a first end of the first panel at a second end of the outer cable.

10 [0012] In another preferred embodiment, the apparatus further includes an inner cable attached to the second shaft supporting the second end of the second panel and the first end of the first panel at a first end of the inner cable and attached to a third shaft supporting a second end of the first panel at a second end of the inner cable. Each of the outer cables and the inner cable may be routed through at least one pulley provided on the frame.

15 [0013] In another preferred embodiment, the apparatus further includes a first idler roller for applying pressure to the first panel during movement of the first panel on the frame and a second idler roller for applying pressure to the second panel during movement of the second panel on the frame. An adjustment mechanism may be provided for adjusting the distance between the first idler roller and the second idler roller to thereby determine the gap between the first panel and the second panel. The adjustment mechanism may include an actuator rigidly connected to a screw drive with one of the first idler roller and the second idler roller movably coupled to the screw drive. Furthermore, the adjustment mechanism may include a first actuator rigidly connected to a first screw drive with the one of the first idler roller and the second idler roller movably coupled to the first screw drive, and a second actuator rigidly connected to a second screw drive with the one of the first idler roller and the second idler roller

20

25

movably coupled to the second screw drive. The first actuator and the second actuator, or the first screw drive and the second screw drive, may be operatively coupled to simultaneously move the one of the first idler roller and the second idler roller relative to the other of the first idler roller and the second idler roller.

5 [0014] In another preferred embodiment, the apparatus further includes a third panel that is movable between a first configuration wherein a first end of the third panel is fixedly attached to a first end of the first panel and removably attached to a second end of the first panel, and a second configuration wherein the first end of the third panel is removably attached to a first end of the second panel and  
10 fixedly attached to a second end of the second panel.

[0015] In another preferred embodiment, the apparatus further includes a stop mechanism for retaining the first panel and the second panel in a predetermined position. The stop mechanism may include a stop configured for movement between an unlocked position and a locked position wherein the stop is in locking  
15 engagement with the frame.

[0016] In another aspect, the invention is embodied by a method for forming a clay slab utilizing a slab roller including a frame, a first panel supported on the frame and a second panel supported on the frame, the first panel and the second panel defining a gap therebetween. The method further includes positioning a  
20 block of prepared clay adjacent the gap between the first panel and the second panel with the slab roller in an initial position. The method further includes moving the first panel and the second panel of the slab roller from the initial position to an intermediate position to draw the block of prepared clay into the slab roller between the first panel and the second panel. The method further  
25 includes moving the first panel and the second panel of the slab roller from the intermediate position back to the initial position with the clay slab disposed on the second panel and thereafter removing the clay slab from the second panel.

[0017] In a preferred embodiment of the method, moving the first panel and the second panel from the initial position to the intermediate position and moving the first panel and the second panel from the intermediate position back to the initial position further includes rotating a drive axle to simultaneously wind and  
5 unwind at least one cable attached to a first end of the first panel and attached to a first end and a second end of the second panel.

[0018] In another preferred embodiment of the method, the frame, the first panel and the second panel of the slab roller are oriented in a vertical direction and the block of prepared clay is positioned adjacent the gap defined by the first  
10 panel and the second panel under the influence of gravity.

[0019] In yet another aspect, the invention is embodied by a slab roller for forming for forming a relatively thin clay slab having a generally uniform thickness. The slab roller includes a frame oriented in a vertical direction and including a pair of side frame members, a lower frame member and an upper  
15 frame member, the frame defining a central opening. The apparatus further includes a front panel disposed within the central opening and having a forward end and a rearward end. The apparatus further includes a rear panel disposed within the central opening and having a rearward end and a forward end operatively coupled to the rearward end of the front panel. The apparatus further  
20 includes at least one outer cable having an end attached to the rearward end of the rear panel and another end attached to the forward end of the rear panel and to the rearward end of the front panel. The apparatus further includes an inner cable having an end attached to the forward end of the front panel and another end attached to the rearward end of the front panel. The apparatus further  
25 includes a drive axle rotatably supported on the frame and configured to simultaneously wind and unwind the at least one outer cable about the drive axle and thereby move the front panel and the rear panel from an initial position

wherein a block of prepared clay is disposed adjacent a gap defined between the front panel and the rear panel to an intermediate position wherein the block of prepared clay is drawn into the slab roller between the front panel and the rear panel. The drive axle is further configured to simultaneously wind and unwind  
5 the at least one outer cable about the drive axle in the opposite direction and thereby move the front panel and the rear panel from the intermediate position back to the initial position wherein the clay slab is disposed on one of the front panel and the rear panel.

### BRIEF DESCRIPTION OF THE DRAWINGS

10 [0020] The invention is best understood by reference to the following detailed description taken in conjunction with the accompanying drawing figures in which:

[0021] FIG. 1A is a front perspective view of an apparatus for forming a clay slab according to the invention showing a block of prepared clay positioned for feeding into a slab roller oriented in a vertical direction with the slab roller in an  
15 initial position.

[0022] FIG. 1B is another front perspective view of the apparatus showing the prepared clay drawn into the slab roller with the slab roller in an intermediate position.

[0023] FIG. 1C is another front perspective view of the apparatus showing the  
20 formed clay slab with the slab roller back in the initial position.

[0024] FIG. 2 is a rear perspective view of the apparatus showing the slab roller in the intermediate position of FIG. 1B.

[0025] FIG. 3A is a front elevation view of the apparatus with the slab roller in the initial position.

- [0026] FIG. 3B is a front elevation view of the apparatus illustrating the slab roller moving from the initial position towards the intermediate position.
- [0027] FIG. 3C is a front elevation view of the apparatus with the slab roller in the intermediate position.
- 5 [0028] FIG. 3D is a rear elevation view of the apparatus with the slab roller in the intermediate position.
- [0029] FIG. 3E is a rear elevation view of the apparatus illustrating the slab roller moving from the intermediate position back to the initial position.
- [0030] FIG. 3F is a rear elevation view of the apparatus with the slab roller in  
10 the initial position.
- [0031] FIG. 4A is a sectional view of the apparatus taken in the direction indicated by 4A-4A in FIG. 3A with the slab roller in the initial position.
- [0032] FIG. 4B is a sectional view of the apparatus taken in the direction indicated by 4B-4B in FIG. 3B illustrating the slab roller moving from the initial  
15 position to the intermediate position.
- [0033] FIG. 4C is a sectional view of the apparatus taken in the direction indicated by 4C-4C in FIG. 3C and FIG. 3D with the slab roller in the intermediate position.
- [0034] FIG. 5A is an enlarged sectional view illustrating a method for forming  
20 a clay slab according to the invention wherein the prepared clay is drawn into the slab roller between the front panel and the intermediate panel while the slab roller is moving from the initial position towards the intermediate position.
- [0035] FIG. 5B is an enlarged sectional view illustrating the method wherein

the prepared clay is disposed between the front panel and the intermediate panel with the slab roller in the intermediate position.

[0036] FIG. 5C is an enlarged sectional view illustrating the method wherein the prepared clay is partially disposed between the front panel and the intermediate panel while the slab roller is moving from the intermediate position  
5 back to the initial position.

[0037] FIG. 6A is a detail perspective view showing a preferred embodiment of an adjustment mechanism for adjusting the distance between the front idler roller and the rear idler roller of the slab roller.

10 [0038] FIG. 6B is a detail rear view showing a portion of the adjustment mechanism.

[0039] FIG. 7A is a detail side view of the adjustment mechanism illustrating the front idler roller of the slab roller in a first position relative to the rear idler roller.

15 [0040] FIG. 7B is a detail side view of the adjustment mechanism illustrating the front idler roller of the slab roller moving from the first position to a second position relative to the rear idler roller.

[0041] FIG. 7C is a detail view of the adjustment mechanism illustrating the front idler roller of the slab roller moving from the second position to a third  
20 position relative to the rear idler roller.

[0042] FIG. 8A is a partial sectional view showing a first embodiment of an intermediate panel in a first configuration relative to the front panel and the rear panel of the slab roller for forming a clay slab from prepared clay having a first characteristic, and in particular, a lighter hue.

- [0043] FIG. 8B is a partial sectional view showing the first embodiment of the intermediate panel moving from the first configuration to a second configuration relative to the front panel and the rear panel of the slab roller.
- [0044] FIG. 8C is a partial sectional view showing the first embodiment of the intermediate panel in the second configuration relative to the front panel and the rear panel of the slab roller for forming a clay slab from prepared clay having a second characteristic, and in particular, a darker hue.
- [0045] FIG. 9A is a partial sectional view showing a second embodiment of an intermediate panel in a first configuration relative to the front panel and the rear panel of the slab roller for forming a clay slab from prepared clay having the first characteristic.
- [0046] FIG. 9B is a partial sectional view showing the first embodiment of the intermediate panel moving from the first configuration to a second configuration relative to the front panel and the rear panel of the slab roller.
- [0047] FIG. 9C is a partial sectional view showing the first embodiment of the intermediate panel in the second configuration relative to the front panel and the rear panel of the slab roller for forming a clay slab from prepared clay having the second characteristic.
- [0048] FIG. 10 is a partial elevation view showing the means for attaching the second embodiment of the intermediate panel to the front panel or the rear panel of the slab roller.
- [0049] FIG. 11A is a detail perspective view showing a first embodiment of a stop mechanism for retaining the slab roller in a desired position with the stop mechanism in a locked position.

[0050] FIG. 11B is a top sectional view showing the first embodiment of the stop mechanism in the locked position.

[0051] FIG. 11C is a top sectional view showing the first embodiment of the stop mechanism in an unlocked position.

5 [0052] FIG. 12A is a detail perspective view showing a second embodiment of a stop mechanism for retaining the slab roller in a desired position with the stop mechanism in an unlocked position indicated by solid lines and in a locked position indicated by broken lines.

10 [0053] FIG. 12B is a partial side view showing the second embodiment of the stop mechanism in the unlocked position.

[0054] FIG. 12C is a top sectional view showing the second embodiment of the stop mechanism in the locked position.

15 [0055] FIG. 13 is a top sectional view showing a third embodiment of a stop mechanism for retaining the slab roller in a desired position with the stop mechanism in an unlocked position indicated by broken lines and in a locked position indicated by solid lines.

#### DETAILED DESCRIPTION OF THE INVENTION

20 [0056] Referring now to the accompanying drawing figures in which identical reference numerals denote the same or similar elements throughout the various views, an apparatus for forming a clay slab according to the invention is shown. The apparatus, also referred to herein as the "slab roller" and indicated generally at **20**, is operable for working prepared clay to form a relatively flat clay slab having a generally uniform thickness of the type used for making clay pottery, sculpture and artwork. The apparatus comprises a frame **22** oriented in a vertical



direction relative to a horizontal floor **F** and a vertical wall **W** (or other support) of a work space in, for example, a pottery shop or art studio. As shown, the frame **22** includes a pair of spaced apart side frame members **23**, **24** separated by a lower frame member **25** adjacent the floor **F** and an upper frame member **26** vertically spaced from the lower frame member. Each of the frame members **23**, **24**, **25**, **26** is preferably made of metal and formed as an elongate beam having a generally u-shaped cross-section, for example by casting, bending or extruding. The u-shaped cross-section provides bending and torsional stiffness, as well as other advantages that will be described or will be readily apparent to one of ordinary skill. The frame members **23**, **24**, **25**, **26** may be joined together in any suitable manner, for example by welding or by mechanical fasteners, as desired.

[0057] Regardless, the frame members **23**, **24**, **25**, **26** form a generally rectangular frame **22** oriented in a vertical direction having vertical side frame members **23**, **24** that are significantly longer than the horizontal lower frame member **25** and the horizontal upper frame member **26**. Thus, the frame **22** is configured to support the primary components of the slab roller for forming a clay slab, as will be described, within a central opening **21** defined by the frame members **23**, **24**, **25**, **26**. The frame **22** may be free-standing, or may be secured to the wall **W** by one or more conventional brackets **28**. If desired, the brackets **28** may be configured to be movable (e.g. slidable) along the frame members in a suitable manner so as to be positioned at any convenient location for securing the frame **22** to the wall **W**. Alternatively or in addition, the frame **22** may be provided with one or more optional foot rails **29** for securing the frame **22** to the floor **F**, for example with an adhesive, mechanical fasteners or the like. Still further, the frame **22** or the optional foot rails **29** may be provided with wheels, roller, castors or the like for permitting the slab roller **20** to be readily moved from one area of the work space to another, or for convenient storage adjacent the work space, for example in a closet or storage room. Orienting the slab roller **20**

in a vertical direction as opposed to a horizontal direction, such as on a tabletop, counter or elongate horizontal frame, results in the slab roller having a significantly smaller footprint on the floor **F**, and thus, occupying substantially less of the available work space. Orienting the slab roller **20** in a vertical direction  
5 also provides a significant mechanical advantage and a substantial increase in speed for forming a clay slab from a block of prepared clay, as will be described. Thus, the apparatus and the method of the invention provide space savings and time savings with reduced effort, as well as the accompanying reduction in complexity, reliability and cost savings.

10 [0058] As will be described in greater detail, the slab roller **20** is configured to move between an initial position shown in FIG. 1A and an intermediate position shown in FIG. 1B, and to return from the intermediate position back to the initial position shown in FIG. 1C. FIG. 1A illustrates a block of prepared clay **PC** positioned for feeding into the slab roller **20** in a vertical direction with the slab  
15 roller in the initial position. The prepared clay **PC** is held under the influence of gravity above a predetermined gap **G** between a front panel **30** and a rear panel **32** of the slab roller **20**. Preferably, the front panel **30** and the rear panel **32** are each made of a flexible material, such as a relatively thin sheet of plastic or canvas. The gap **G** is determined by the distance between a generally  
20 cylindrical, horizontal front idler roller **31** spaced apart from a generally cylindrical, horizontal rear idler roller **33**, as will be described with reference to FIGS. 4A-4C and FIGS. 5A-5C. FIG. 1B illustrates the prepared clay **PC** disposed between the front panel **30** and the rear panel **32** with the slab roller **20** in the intermediate position. FIG. 1C shows the clay slab **CS** positioned to be  
25 removed from the rear panel **32** with the slab roller **20** returned to the initial position. A handle **35** is provided adjacent one of the side frame members **23**, **24** of the frame **22** for rotating a horizontal drive axle **34** (FIG. 2) to wind and unwind a pair of outer cables **36** routed through pulleys **37** and attached to horizontal

shafts **38**, **39** (e.g. FIG. 4A) supporting the rearward and forward ends, respectively, of the rear panel **32**. An inner cable **40** (FIG. 1B) medially disposed between outer cables **36** is routed through a pulley **37** and attached at one end to horizontal shaft **39**, which supports the rearward end of front panel **30** in addition  
5 to the forward end of rear panel **32**. The other end of inner cable **40** is attached to a horizontal shaft **41** supporting the forward end of front panel **30**.

[0059] FIG. 2 shows the slab roller **20** in the initial position from the rear. Movement of the slab roller **20** from the initial position to the intermediate position and back again to the initial position to form a relatively flat clay slab **CS** having a  
10 generally uniform thickness will be described with reference to FIGS. 3A-3F. FIGS. 4A-4C illustrate the operation of drive axle **34**, outer cables **36**, inner cable **40**, front idler roller **31** and rear idler roller **33** in response to rotation of handle **34** moving the slab roller **20** from the initial position to the intermediate position and back again to the initial position. FIGS. 5A-5C illustrate a method for forming the  
15 clay slab **CS** from the prepared clay **PC** according to the invention wherein the slab roller **20** is moved from the initial position to the intermediate position and back again to the initial position.

[0060] As shown in FIG. 3A, the front panel **30** of the slab roller **20** is disposed fully downward and the rear panel **32** is disposed fully upward in the initial  
20 position. In the initial position, the shaft **41** supporting the forward end of the front panel **30** is attached to an end of the inner cable **40** adjacent the lower pulleys **37** with the inner cable **40** routed around the inner pulley **37**. Similarly, the shaft **38** supporting the rearward end of the rear panel **32** is attached to ends of the outer cables **36** adjacent the upper pulleys **37** with the outer cables **36**  
25 routed around the pulleys **37**. At the same time, shaft **39** supports both the rearward end of the front panel **30** and the forward end of the rear panel **32** adjacent the drive axle **34** (FIG. 4A and FIG. 5A). The shaft **39** is attached to the

other end of the inner cable **40** to coordinate movement of the front panel **30**, and is attached to the other ends of the outer cables **36** to coordinate movement of the rear panel **32**. In the initial position, the shaft **39** is located below the front idler roller **31** and the rear idler roller **33** so as to define the gap **G** (FIG. 1A) for  
5 feeding a block of prepared clay **PC** into the slab roller **20**.

[0061] Once the block of prepared clay **PC** has been properly positioned for feeding, an operator manually turns the handle **35** in the direction (i.e. counter-clockwise) indicated by the arrow in FIG. 3B. As illustrated in FIG. 4B, turning the handle **35** rotates the drive axle **34** and causes outer cables **36** to  
10 simultaneously wind onto and to unwind off the drive axle. As a result, outer cables **36** apply a force to shaft **39** that moves rear panel **32** in the direction (i.e. downward) indicated by the arrows. At the same time, the force applied to shaft **39** moves the rearward end of front panel **30** in the direction (i.e. downward) indicated by the arrow and the forward end of the front panel **30** in the direction  
15 (i.e. upward) indicated by the arrow. It should be noted that inner cable **40** is not driven by the drive axle **34**, and instead merely guides the front panel **30**, while maintaining it substantially taut. Furthermore, it should be noted with reference to FIG. 5A that front idler roller **31** and rear idler roller **33** are not directly driven by the operator turning handle **35**. Instead, idler roller **31** merely applies  
20 pressure to the front panel **30** and idler roller **33** merely applies pressure to rear panel **32** during movement of the front and rear panels, respectively. As a result, the block of prepared clay **PC** is not driven into the gap **G** by the idler rollers **31**, **33**, and instead is drawn (e.g. pulled) into the gap **G** by the downward movement of front panel **30** and rear panel **32**. Thus, the clay slab **CS** formed from the  
25 prepared clay **PC** does not exhibit a predetermined grain direction. Furthermore, there is no need to provide the front idler roller **31** or the rear idler roller **33** with a knurled or roughened exterior surface to grip the front panel **30** or the rear panel **32**, respectively, in a positive manner. Thus, the clay slab **CS** will not have an

uneven or rough exterior surface that can result in a finished piece of pottery, sculpture or artwork having an undesirable exterior surface.

[0062] The operator continues turning the handle **35** in the same direction until the slab roller reaches the intermediate position shown in FIG. 3C. As illustrated in FIG. 4C, turning the handle **35** rotates the drive axle **34** to continue to move rear panel **32** and front panel **30** as previously described until shaft **39** supporting the forward end of the rear panel and the rearward end of the front panel is located adjacent the lower pulleys **37**. In the intermediate position, shaft **41** supporting the forward end of front panel **30** is located adjacent the drive axle **34**, but below front and rear idler rollers **31**, **33**, while shaft **38** supporting the rearward end of rear panel **32** is located above the idler rollers. As illustrated in FIG. 5B, the block of prepared clay **PC** is fully drawn into the gap **G** defined by the front panel **30** and the rear panel **32** in the intermediate position. FIG. 3D shows the intermediate position of the slab roller **20** from the rear view.

[0063] FIG. 3E and FIG. 3F illustrate movement of the slab roller **20** from the intermediate position back to the initial position. FIG. 5C shows the clay slab **CS** emerging from the gap **G** between the front panel **30** and the rear panel **32** as the slab roller **20** moves back to the initial position. The operator turns the handle **35** in the direction (i.e. clockwise) indicated by the arrow in FIG. 3E, which in turn causes the drive axle **34** to simultaneously wind and unwind the outer cables **36** as previously described. However, in this instance, the drive axle **34** rotates in the opposite direction and the outer cables **36** move in the opposite direction to raise the rear panel **32**, while lowering the forward end of the front panel **30** relative to the rearward end of the front panel and the forward end of the rear panel. More specifically, the outer cables **36** apply a force to shaft **38** that moves rear panel **32** in the direction (i.e. upward) indicated by the arrows. At the same time, the force applied by shaft **39** to inner cable **40** moves the forward end of

front panel **30** in the direction (i.e. downward) indicated by the arrow and the rearward end of the front panel **30** in the same direction (i.e. upward) indicated by the arrow as the rear panel **32**.

[0064] Again, it should be noted that inner cable **40** is not driven by the drive  
5 axle **34**, and instead merely guides the front panel **30**, while maintaining it  
substantially taut. Furthermore, it should be noted with reference to FIG. 5C that  
front idler roller **31** and rear idler roller **33** are not directly driven by the operator  
turning handle **35** and instead merely apply pressure to the front panel **30** and  
the rear panel **32**, respectively, during movement of the panels, as previously  
10 described. As a result, the clay slab **CS** is not driven out of the gap **G** by the idler  
rollers **31**, **33**, and instead is drawn (e.g. pulled) out of the gap **G** by the upward  
movement of front panel **30** and rear panel **32**. Thus, the clay slab **CS** formed  
from the prepared clay **PC** does not exhibit a predetermined grain direction.  
Furthermore, there is no need to provide the front idler roller **31** or the rear idler  
15 roller **33** with a knurled or roughened exterior surface to grip the front panel **30**  
or the rear panel **32**, respectively, in a positive manner. Thus, the clay slab **CS**  
will not have an uneven or rough exterior surface that can result in a finished piece of  
pottery, sculpture or artwork having an undesirable exterior surface. FIG. 3F  
shows the slab roller **20** returned to the initial position from the rear view. As will  
20 be readily apparent to those skilled in the art, a conventional power source, for  
example an electric motor, may be substituted for the manually-operated handle  
**35** to rotate the drive axle **34**, and thereby automate operation of the slab roller  
**20**. Finally, it should also be noted that the front panel **30** and the rear panel **32**  
are integrally attached to one another and aligned by the outer cables **36** and  
25 horizontal shafts **38**, **39**. The lengths of the outer cables **36** may be adjusted as  
necessary to maintain the alignment of the front panel **30** and the rear panel **32**,  
and thereby prevent the clay slab from wandering off to one side during  
movement of the front and rear panels from the initial position to the intermediate

position, and back again to the initial position.

[0065] FIG. 6A and FIG. 6B show a preferred embodiment of an adjustment mechanism, indicated generally at **50**, for adjusting the distance between the front idler roller **31** and the rear idler roller **33** of the slab roller **20**. As will be readily apparent, the distance between the idler rollers **31**, **33** less the thickness of the front panel **30** and the thickness of the rear panel **32** determines the gap **G** for feeding the block of prepared clay **PC**. As shown and described herein, the front idler roller **31** is movable relative to the rear idler roller **33**. However, the rear idler roller **33** may be configured to be movable relative to the front idler roller **31**, or both idler rollers may be movable in opposite directions relative to one another, as desired. Regardless, the adjustment mechanism **50** comprises a rotatable actuator **52** rigidly connected to a screw drive **54** adjacent one of the side frame members **23**, **24**. As shown herein, the adjustment mechanism comprises a pair of actuators **52** each connected to a screw drive **54** adjacent one of the side frame members **23**, **24**. The ends of the screw drives **54** opposite the actuators **52** are provided with toothed gears **55** interconnected by a conventional chain **56**. In this manner, adjustment mechanism **50** forms a drive system such that rotation of the actuators **52** and the screw drives **54** is synchronized. In other words, rotation of either actuator **52** will result in the same adjustment at both ends of front idler roller **31**. If desired, the operator may disengage the synchronized actuators **52** (for example by rotatably coupling one of the gears **55** with the corresponding screw drive **54**, or by removing the chain **56**), and thereby produce a clay slab **CS** having a wedge-shape.

[0066] In particular, adjustment mechanism **50** comprises a traveler **58** mounted on each end of an inner shaft of the front idler roller **31**. The traveler **58** is also movably mounted on the screw drive **54** such that rotation of the actuator **52** (rigidly connected to the screw drive) results in linear translation of the traveler

on the screw drive, as indicated by the opposed arrows in FIG. 6A. Consequently, the distance between the front idler roller **31** and the stationary rear idler roller **33** can be adjusted by rotating either or both of the actuators **52**. FIG. 7A shows the front idler roller **31** of the slab roller **20** in a first selected position relative to the rear idler roller **32**. An optional scale **59** may be provided for selecting a predetermined distance between the idler rollers **31**, **33**. FIG. 7B illustrates use of the adjustment mechanism **50** to move the front idler roller **31** from the first selected position (i.e. 3.5 on scale **59**) to a second selected position (i.e. 2.5 on scale **59**). The operator rotates the actuator **5**, and thus the screw drive **54**, in a predetermined direction (i.e. clockwise) to drive the traveler **58**, and thus the front idler roller **31**, in the direction indicated by the arrow in FIG. 7B. FIG. 7C illustrates continued use of the adjustment mechanism **50** to move the front idler roller **31** relative to the rear idler roller **33** from the second selected position (i.e. 2.5 on scale **59**) to a third selected position (i.e. 1.75 on scale **59**) to reduce the gap **G** defined by the front panel **30** and the rear panel **32**.

[0067] FIGS. 8A-8C show a first embodiment of an intermediate panel **60** for forming a clay slab **CS** from prepared clay **PC** having a first characteristic, such as a lighter hue. When forming multiple clay slabs **CS** from different colored blocks of prepared clay **PC**, the front panel **30** and the rear panel **32** may transfer color residue from one block of prepared clay to a subsequent block of prepared clay. Obviously, the transfer of color residue from a clay slab **CS** having a darker hue to a clay slab **CS** having a lighter hue can contaminate the finished piece of pottery, sculpture or artwork. Accordingly, the slab roller **20** of the invention provides an optional means for forming clay slabs **CS** having different hues. FIG. 8A shows an intermediate panel **60** in a first configuration relative to the front panel **30** and the rear panel **32** of the slab roller **20** for use with prepared clay **PC** having a first characteristic, and in particular, a lighter hue. The front panel **30** and the intermediate panel **60** comprise complimentary attachment means **62**,



**62'**, respectively, for removably attaching the intermediate panel to the front panel. Rear panel **32** and the intermediate panel **60** likewise comprise complimentary attachment means **64, 64'**, respectively, for removably attaching the intermediate panel to the rear panel. As shown in FIGS. 8A-8C, the  
5 complimentary attachment means **62, 62'** and **64, 64'** may be a hook-and-loop fastener, such as the commonly available Velcro®, which is a registered trademark belonging to Velcro Industries B.V., Antilles, Netherlands.

[0068] FIG. 8B shows the first embodiment of the intermediate panel **60** detached from the front panel **30** and moving from the first configuration to a  
10 second configuration relative to the front panel and the rear panel **32** of the slab roller **20**. In the second configuration (FIG. 8C), the intermediate panel **60** is removably attached to the rear panel **32** by complimentary attachment means **64, 64'**. FIG. 8C shows the first embodiment of the intermediate panel **60** in the second configuration relative to the front panel **30** and the rear panel **32** of the  
15 slab roller **20** for use with prepared clay **PC** having a second characteristic, and in particular, a darker hue. In the first configuration (FIG. 8A), the prepared clay **PC**, for example having a lighter hue, is drawn into the slab roller **20** between the front idler roller **31** and the rear idler roller **33** by the intermediate panel **60** and the rear panel **32**, while the front panel **30** does not come into contact with the  
20 prepared clay. In the second configuration (FIG. 8C), the prepared clay **PC**, for example having a darker hue, is drawn into the slab roller **20** between the front idler roller **31** and the rear idler roller **33** by the front panel **30** and the opposite surface **66** of the intermediate panel **60**, while the rear panel **32** does not come into contact with the prepared clay. As a result, the color residue from the  
25 prepared clay **PC** deposited on the opposite surface **66** of the intermediate panel **60** and the front panel **30** (e.g. FIG. 8C) does not contaminate the prepared clay **PC** that comes into contact with the intermediate panel **60** and the rear panel **32** (e.g. FIG. 8A), or visa-versa.

[0069] FIGS. 9A-9C and FIG. 10 show a second embodiment of an intermediate panel **60** for forming a clay slab **CS** from prepared clay **PC** having a first characteristic, such as a lighter hue. The second embodiment of the intermediate panel **60** likewise comprises opposite surface **66** for performing the function previously described, namely preventing color residue from the prepared clay **PC** deposited on the opposite surface **66** of the intermediate panel **60** and the front panel **30** from contaminating a clay slab **CS** formed by the intermediate panel **60** and the rear panel **32**. The second embodiment of the intermediate panel **60**, however, comprises a different type of attachment means for removably attaching the intermediate panel **60** to the front panel **30** (FIG. 9A) and alternatively to the rear panel **32**. FIG. 9A shows the intermediate panel **60** in a first configuration relative to the front panel **30** and the rear panel **32** of the slab roller **20** for forming a clay slab from prepared clay **PC** having the first characteristic. The attachment means comprises at least one, and as shown herein, a pair of U-shaped hooks **67** movably disposed on the opposite ends of a horizontal shaft **68** provided at the free (i.e. movable) end of the intermediate panel **60**. The hooks **67** are preferably biased inwardly relative to the shaft **68** by retaining springs **69** (FIG. 10). In this manner, each hook **67** can be urged outwardly from the shaft **68** against the biasing force of the corresponding retaining spring **69** and one leg of the hook positioned within a central opening provided on the shaft **41** of the front panel **30** (see FIG. 9A) or the shaft **38** of the rear panel **32** (see FIG. 9C). It should be noted that any one or more than one of the horizontal shafts **38**, **39**, **41**, **68** may be formed as a hollow tube having sufficient stiffness to support the ends of the front panel **30**, rear panel **32** and intermediate panel **60**, as necessary to form a clay slab **CS**.

[0070] FIGS. 11A-11C show a first embodiment of a stop mechanism for retaining the slab roller **20** in a desired position. FIGS. 12A-12C show a second embodiment of a stop mechanism for the same purpose. FIG. 13 shows a third

embodiment of a stop mechanism for the same purpose. It is desirable, for example, to retain the slab roller **20** when it is back in the initial position after forming the clay slab **CS** from the prepared clay **PC**, as illustrated by FIG. 1C. Retaining the slab roller **20** in this position permits the operator to use both hands  
5 to remove the clay slab **CS** from the rear panel **32** without interference from the tendency of the rear panel to move downwardly under the influence of gravity due to the weight of the clay slab. FIG. 11A shows the first embodiment of the stop mechanism in a locked position in engagement with the side frame member **24** of the slab roller **20**. The first embodiment of the stop mechanism comprises  
10 an actuator **70** attached to the handle **35** adjacent a grip portion **35A** of the handle. As shown, the actuator **70** is movably attached to an extension portion **35B** of the handle that spaces the grip portion **35A** from the rotatable drive axle **34** that drives the outer cables **36**, as previously described.

[0071] In the first embodiment, the actuator **70** comprises an L-shaped pin **72**  
15 for rotatably attaching the actuator to the handle **35** with a stop **74** at one end of the actuator and a lever **76** at the opposite end. An operator can press the lever **76** to move the actuator **70** between the locked position shown in FIGS. 11A and 11B and an unlocked position indicated by solid lines in FIG. 11C. The actuator **70** is restrained from moving to the unlocked position in one direction. Therefore,  
20 as illustrated in FIG. 11C, the operator first moves the handle **35** away from the side frame member **24** and then presses the lever **76** to rotate the actuator **70** and pin **72** relative to the handle **35** in the direction indicated by the solid arrow. The second embodiment of the stop mechanism is essentially identical to the first embodiment with the exception that the actuator **70** is curved or bent such that  
25 the stop **74** and the lever **76** are positioned at an angle relative to one another. As shown herein, the stop **74** and the lever **76** are disposed generally perpendicular to one another. As indicated by the double-headed arrow in FIG. 12A and the single-headed arrow in FIG. 12B, the operator presses the lever **76**

to rotate the stop **74** of the actuator **70** into the locked position for engagement with the side frame member **24**, and then pulls the lever **76** in the opposite direction to rotate the actuator **70** relative to the handle **35** from the locked position to the unlocked position. The third embodiment of the stop mechanism  
5 is essentially identical to the first embodiment with the exception that the actuator **70** is movably attached to the extension portion **35B** of the handle **35** adjacent the grip portion **35A** by a conventional hinge **78**. The hinge **78** permits the actuator **70** (and consequently stop **74**) to rotate relative to the handle **35** between the unlocked position (shown in broken lines) and the locked position  
10 (shown in solid lines), as indicated by the double-headed arrow.

[0072] A slab roller **20** as shown and described herein is particularly useful for forming a clay slab **CS** from a block of prepared clay **PC**. A method according to the invention for working prepared clay **PC** into a relatively flat clay slab **CS** having a generally uniform thickness of the type used in making clay pottery,  
15 sculpture and artwork comprises providing a slab roller **20** that is oriented in a vertical direction. As previously described, the slab roller **20** comprises a frame **22**, a front panel **30** movably supported on the frame and a rear panel **32** movably supported on the frame. The block of prepared clay **PC** is positioned on the slab roller **20** adjacent a gap **G** defined by the front panel **30** and the rear  
20 panel **32**. The prepared clay **PC** is fed vertically into the slab roller **20** between the front panel **30** and the rear panel **32** by movement of the slab roller from an initial position to an intermediate position, and back again to the initial position. In particular, an operator rotates a handle **34** operatively coupled to a drive axle  
25 **34** in a predetermined direction (e.g. counter-clockwise) to simultaneously wind and unwind a pair of outer cable **36** about the drive axle. Rotation of the drive axle **34** causes the outer cables **36** to move the rear panel **32** and a rearward end of the front panel **30** in a downward direction, while at the same time moving a forward end of the front panel in an upward direction from the initial position to

the intermediate position.

- [0073] Once the intermediate position has been reached, the operator rotates the handle **35** in the opposite direction (e.g. clockwise) to simultaneously wind and unwind the outer cables **36** about the drive axle **34** in the other direction.
- 5 Rotation of the drive axle **34** in the other direction causes the outer cables **36** to move the rear panel and the rearward end of the front panel **30** in an upward direction, while at the same time moving the forward end of the front panel in a downward direction from the intermediate position back to the initial position. The operator then removes the relatively flat clay slab **CS** having a generally
- 10 uniform thickness from the rear panel **32** of the slab roller **20**. The method of the invention draws (i.e. draws) the block of prepared clay **PC** between the front panel **30** and the rear panel **32**, and thereby avoids the introduction of an undesirable grain direction in the clay slab **CS**, which may cause a shift or warp in a finished piece of clay pottery, sculpture or artwork.
- 15 [0074] The foregoing has described one or more exemplary embodiments of an apparatus and a method for forming a clay slab. More particularly, a slab roller and an associated method for working prepared clay into a relatively flat clay slab having a generally uniform thickness of the type used in making clay pottery, sculpture and artwork has been shown and described herein. In
- 20 preferred embodiments the slab roller is oriented in a vertical direction and is configured to draw the prepared clay between opposed panels of a flexible material to form a relatively flat clay slab having a generally uniform thickness. While particular embodiments of the invention have been described, it will be apparent to those skilled in the art that various modifications thereto can be made
- 25 without departing from the spirit and scope of the invention. Accordingly, the foregoing description of the preferred embodiments of the invention and the best mode for practicing the invention are provided for the purpose of illustration only,

and not for the purpose of limitation. In particular, it will be appreciated that a slab roller in accordance with the invention may be applicable for use with a material other than prepared clay to form a relatively thin slab of the material having a generally uniform thickness. Furthermore, the slab roller may be oriented in a horizontal direction, if desired, with essentially the same features and advantages, without departing from the spirit and scope of the appended claims.

That which is claimed is:

1. An apparatus for forming a clay slab comprising:  
a frame;  
a first panel supported on the frame; and  
5 a second panel supported on the frame, the first panel and the second panel defining a gap therebetween for forming the clay slab;  
wherein the frame is oriented in a vertical direction.
2. An apparatus according to claim 1, wherein the first panel and the second panel are configured for movement in a vertical direction to form the clay slab.
- 10 3. An apparatus according to claim 1, wherein the first panel and the second panel are configured for movement from an initial position to an intermediate position and from the intermediate position back to the initial position.
4. An apparatus according to claim 3, wherein movement of the first panel and the second panel from the initial position to the intermediate position draws a  
15 block of prepared clay into the gap defined by the first panel and the second panel to form the clay slab.
5. An apparatus according to claim 1, wherein the first panel and the second panel are supported on the frame by at least one cable.
6. An apparatus according to claim 5, further comprising a drive axle  
20 configured for rotation to simultaneously wind and unwind the at least one cable about the drive axle.
7. An apparatus according to claim 5, wherein the at least one cable

- comprises a pair of outer cables, each of the outer cables attached to a first shaft supporting a first end of the second panel at a first end of the outer cable and attached to a second shaft supporting a second end of the second panel and a first end of the first panel at a second end of the outer cable.
- 5 8. An apparatus according to claim 7, further comprising an inner cable attached to the second shaft supporting the second end of the second panel and the first end of the first panel at a first end of the inner cable and attached to a third shaft supporting a second end of the first panel at a second end of the inner cable.
- 10 9. An apparatus according to claim 8, wherein each of the outer cables and the inner cable are routed through at least one pulley provided on the frame.
- 15 10. An apparatus according to claim 2, further comprising a first idler roller for applying pressure to the first panel during the movement of the first panel and a second idler roller for applying pressure to the second panel during the movement of the second panel.
11. An apparatus according to claim 10, further comprising an adjustment mechanism for adjusting the distance between the first idler roller and the second idler roller to thereby determine the gap between the first panel and the second panel.
- 20 12. An apparatus according to claim 11, wherein the adjustment mechanism comprises an actuator rigidly connected to a screw drive and wherein one of the first idler roller and the second idler roller is movably coupled to the screw drive.
- 25 13. An apparatus according to claim 12, wherein the adjustment mechanism comprises a first actuator rigidly connected to a first screw drive with the one of the first idler roller and the second idler roller movably coupled to the first screw



drive and a second actuator rigidly connected to a second screw drive with the one of the first idler roller and the second idler roller movably coupled to the second screw drive, and wherein the first actuator and the second actuator or the first screw drive and the second screw drive are operatively coupled to  
5 simultaneously move the one of the first idler roller and the second idler roller relative to the other of the first idler roller and the second idler roller.

14. An apparatus according to claim 1, further comprising a third panel that is movable between a first configuration wherein a first end of the third panel is fixedly attached to a first end of the first panel and removably attached to a  
10 second end of the first panel, and a second configuration wherein the first end of the third panel is removably attached to a first end of the second panel and fixedly attached to a second end of the second panel.

15. An apparatus according to claim 1, further comprising a stop mechanism for retaining the first panel and the second panel in a predetermined position.

15 16. An apparatus according to claim 15, wherein the stop mechanism comprises a stop configured for movement between an unlocked position and a locked position wherein the stop is in locking engagement with the frame.

17. A method for forming a clay slab comprising:

20 providing a slab roller comprising a frame, a first panel supported on the frame and a second panel supported on the frame, the first panel and the second panel defining a gap therebetween;

positioning a block of prepared clay adjacent the gap between the first panel and the second panel with the slab roller in an initial position;

moving the first panel and the second panel of the slab roller from the

initial position to an intermediate position to draw the block of prepared clay into the slab roller between the first panel and the second panel;

moving the first panel and the second panel of the slab roller from the intermediate position back to the initial position with the clay slab disposed on the  
5 second panel; and

removing the clay slab from the second panel.

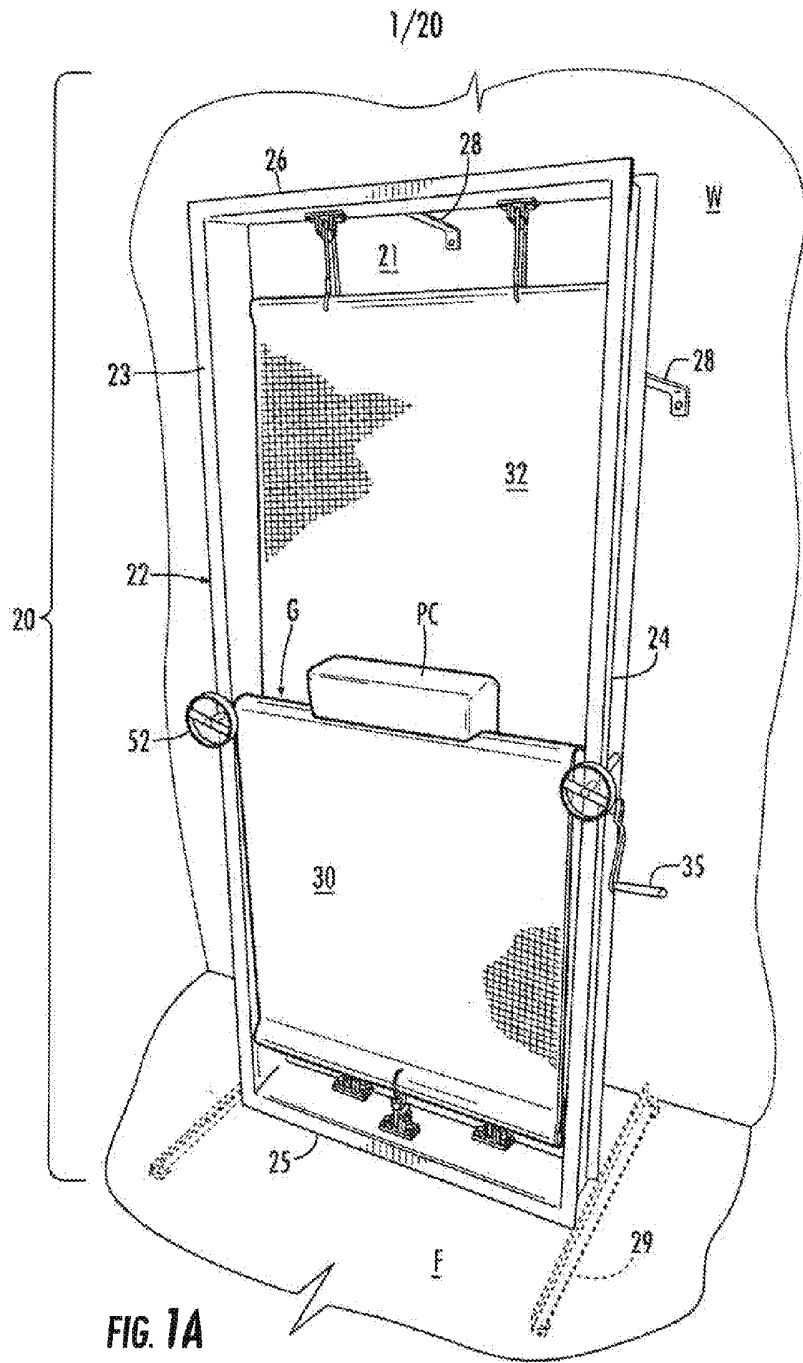
18. A method according to claim 17, wherein moving the first panel and the second panel from the initial position to the intermediate position and moving the first panel and the second panel from the intermediate position back to the initial  
10 position comprises rotating a drive axle to simultaneously wind and unwind at least one cable attached to a first end of the first panel and attached to a first end and a second end of the second panel.

19. A method according to claim 17, wherein the frame, the first panel and the second panel of the slab roller are oriented in a vertical direction and the block of prepared clay is positioned adjacent the gap defined by the first panel and the second panel under the influence of gravity such that the movement of the first  
15 panel and the second panel from the initial position to the intermediate position draws a block of prepared clay into the gap defined by the first panel and the second panel to form the clay slab.

20. A slab roller for forming a relatively thin clay slab having a generally uniform thickness, the slab roller comprising:

a frame oriented in a vertical direction and comprising a pair of side frame members, a lower frame member and an upper frame member, the frame defining a central opening;

- a front panel disposed within the central opening and having a forward end and a rearward end;
- a rear panel disposed within the central opening and having a rearward end and a forward end operatively coupled to the rearward end of the front panel;
- 5 at least one outer cable having an end attached to the rearward end of the rear panel and another end attached to the forward end of the rear panel and to the rearward end of the front panel;
- an inner cable having an end attached to the forward end of the front panel and another end attached to the rearward end of the front panel; and
- 10 a drive axle rotatably supported on the frame and configured to simultaneously wind and unwind the at least one outer cable about the drive axle and thereby move the front panel and the rear panel from an initial position wherein a block of prepared clay is disposed adjacent a gap defined between the front panel and the rear panel to an intermediate position wherein the block of prepared clay is drawn into the slab roller between the front panel and the rear panel, the drive axle being further configured to simultaneously wind and unwind the at least one outer cable about the drive axle in the opposite direction and thereby move the front panel and the rear panel from the intermediate position back to the initial position wherein the clay slab is disposed on one of the front panel and the rear panel.
- 15
- 20



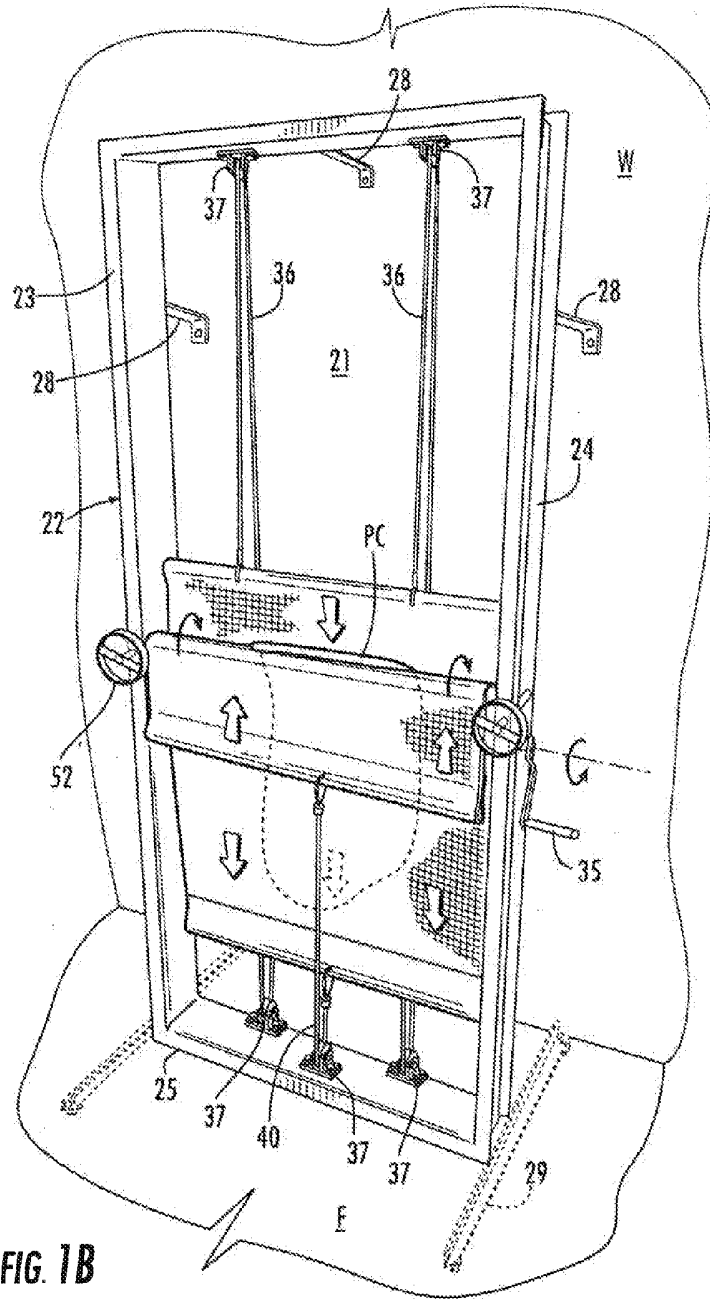


FIG. 1B

3/20

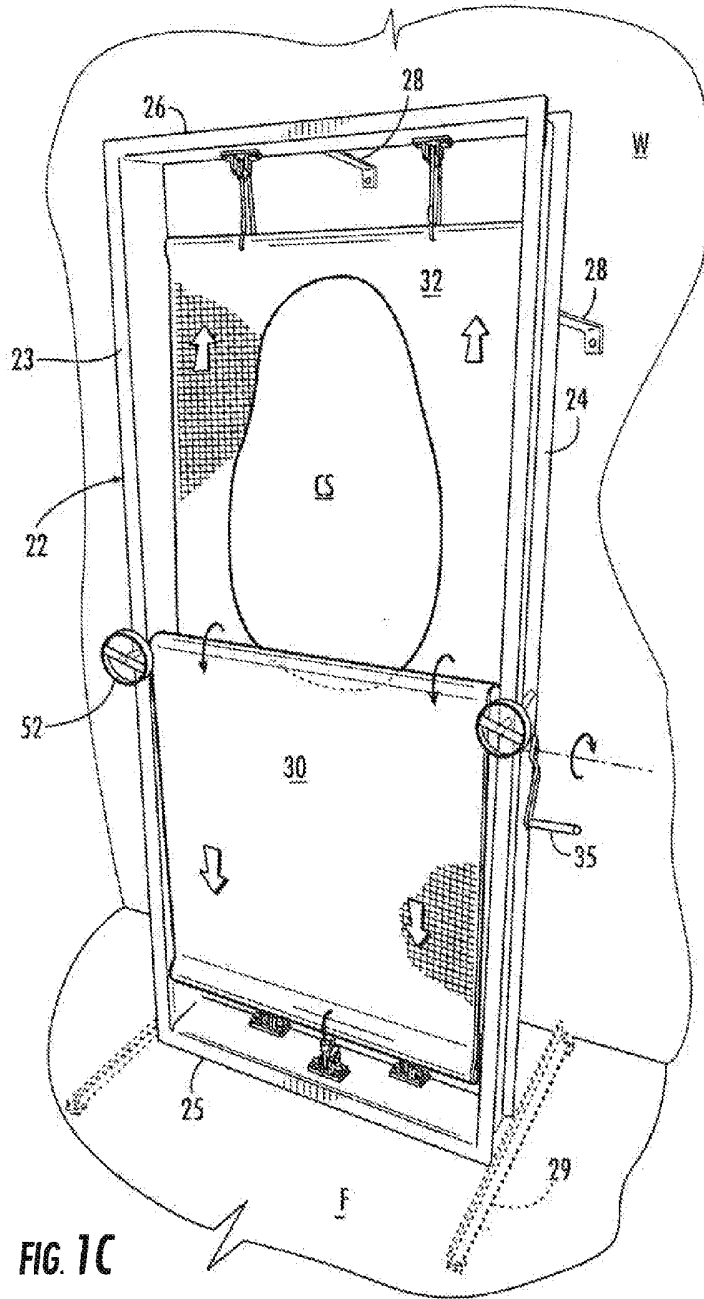


FIG. 1C



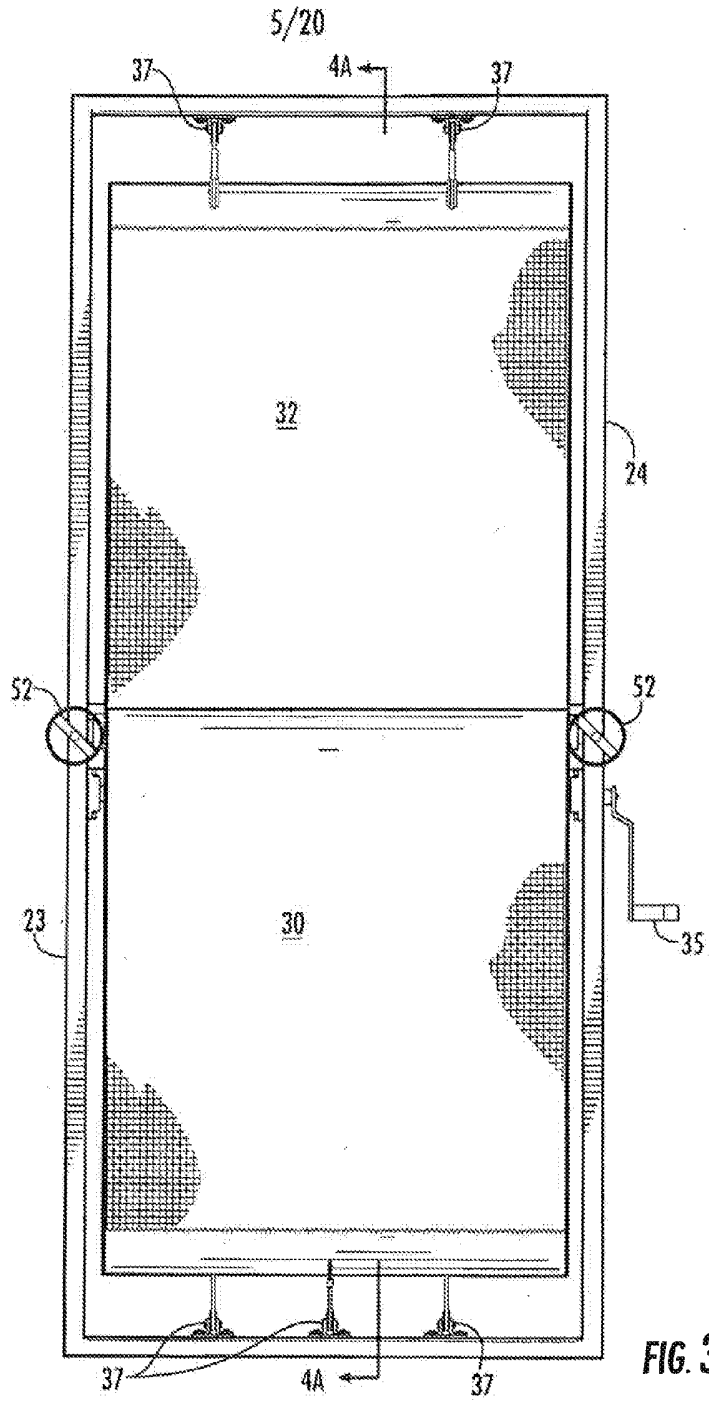
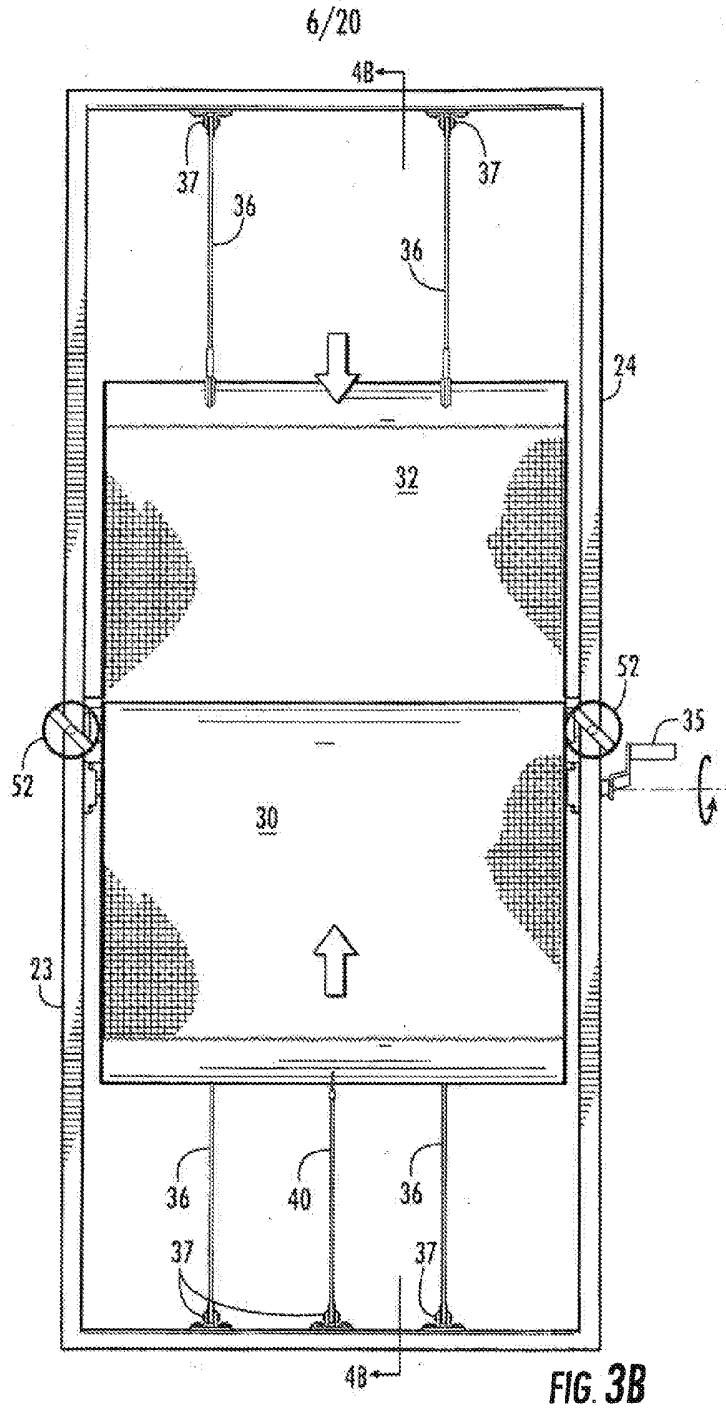


FIG. 3A





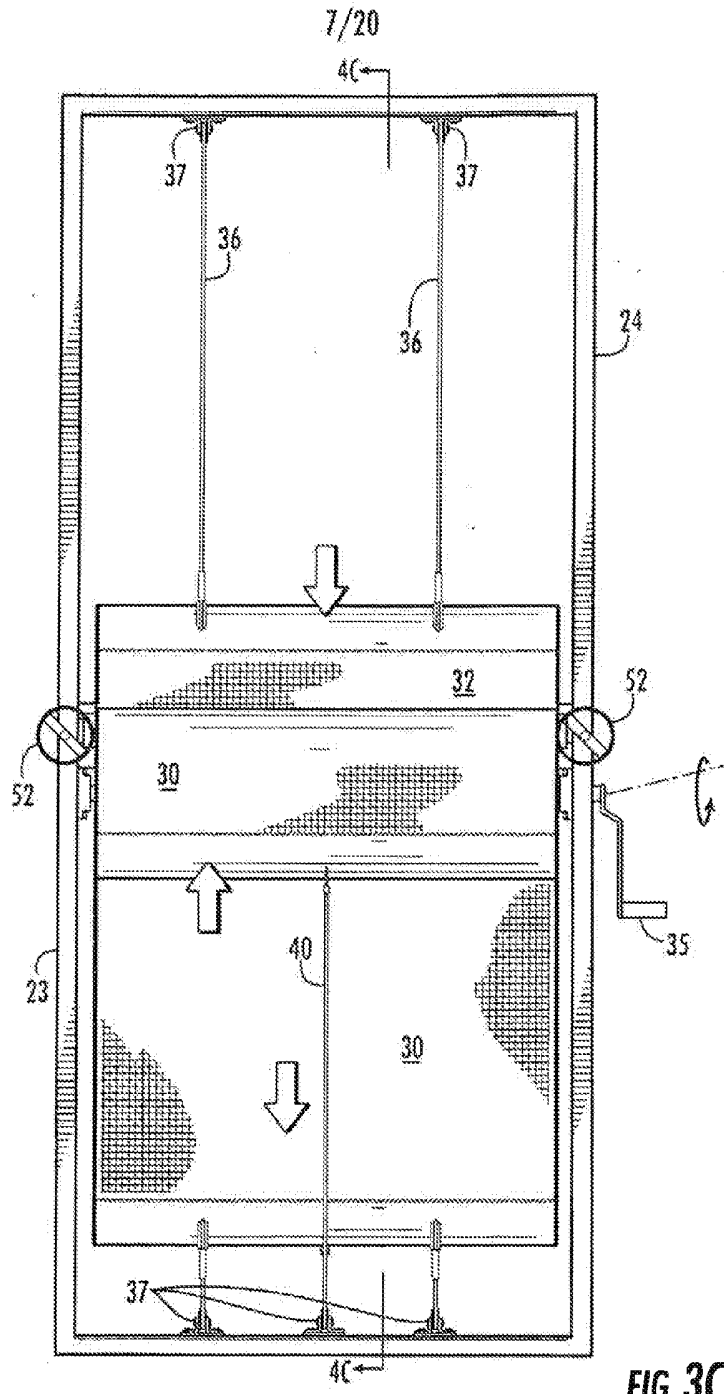
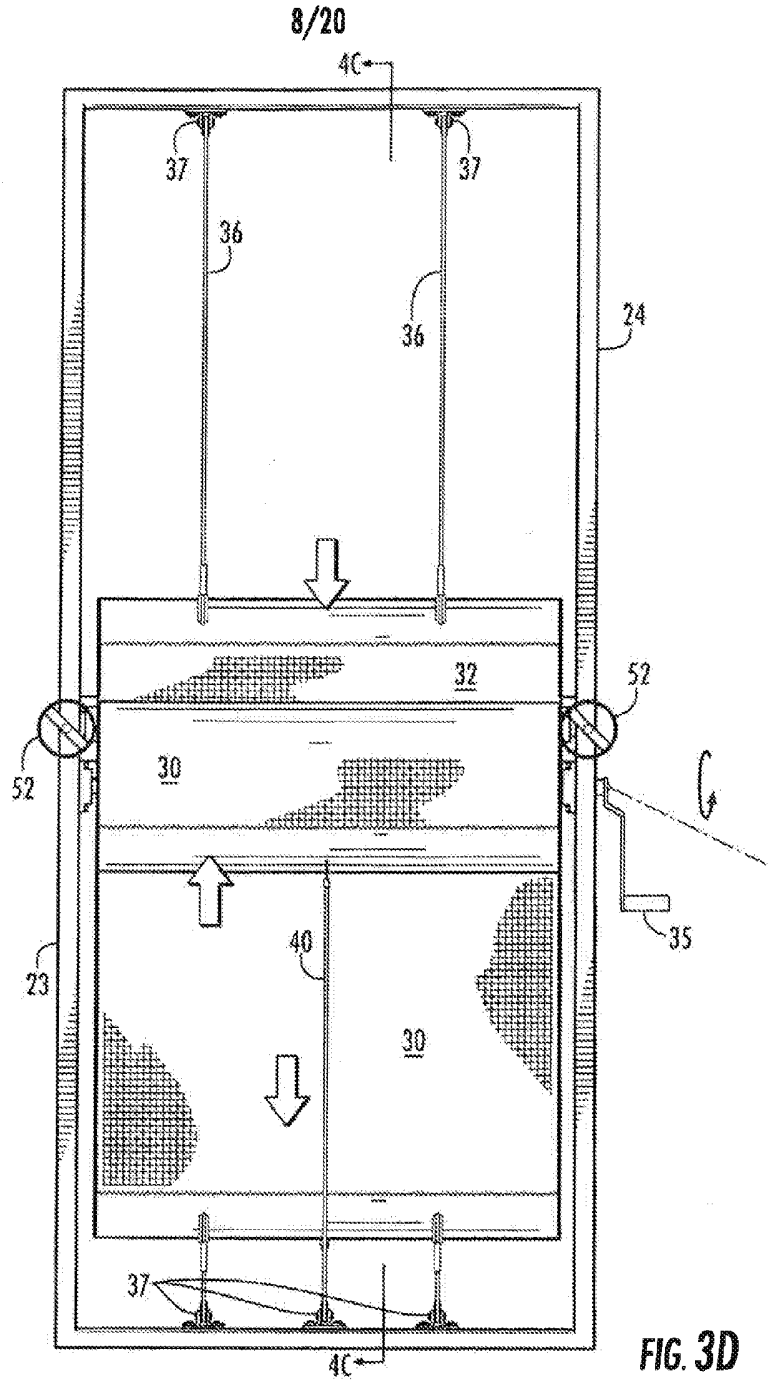


FIG. 3C



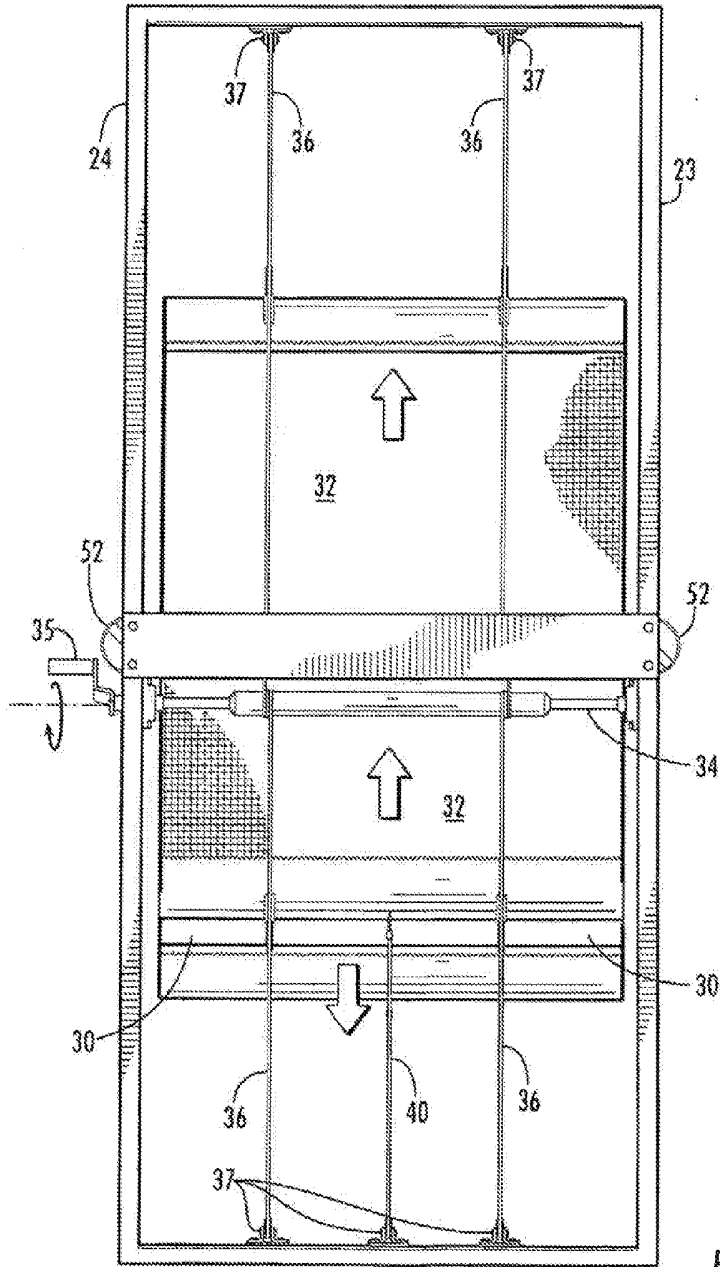
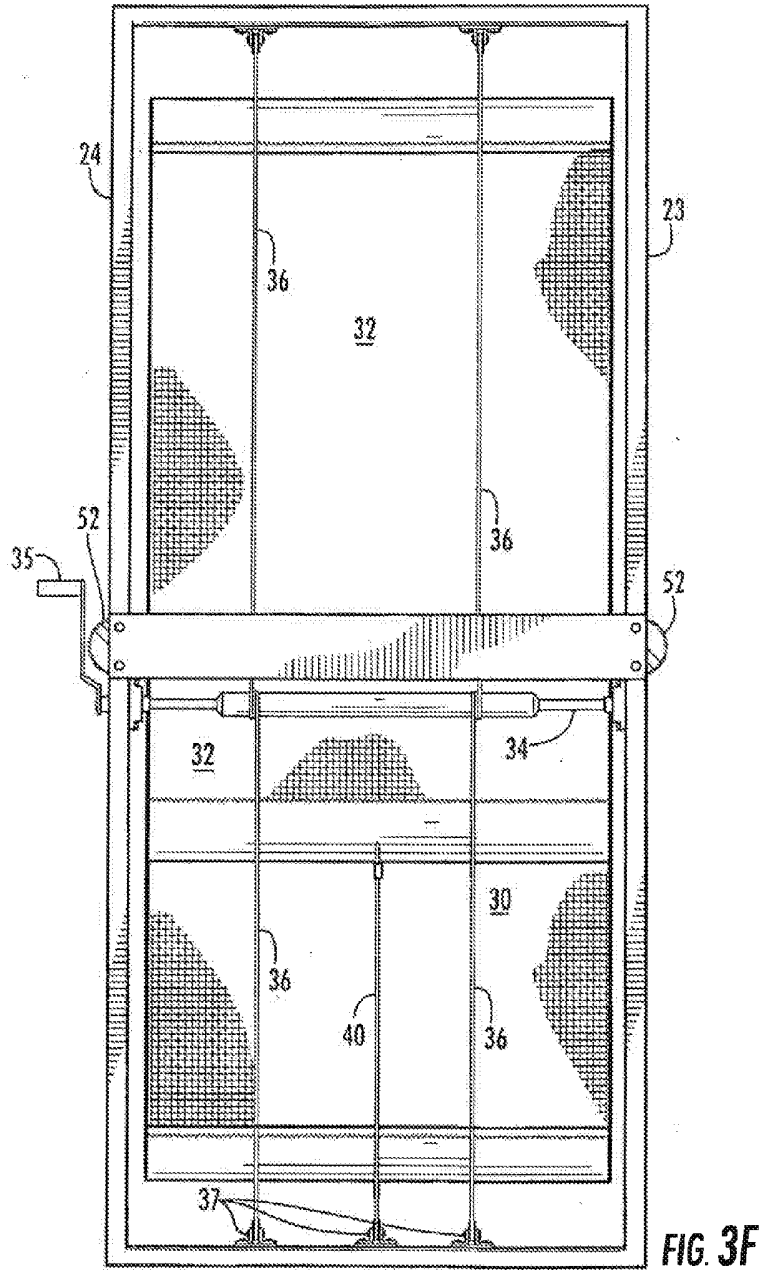
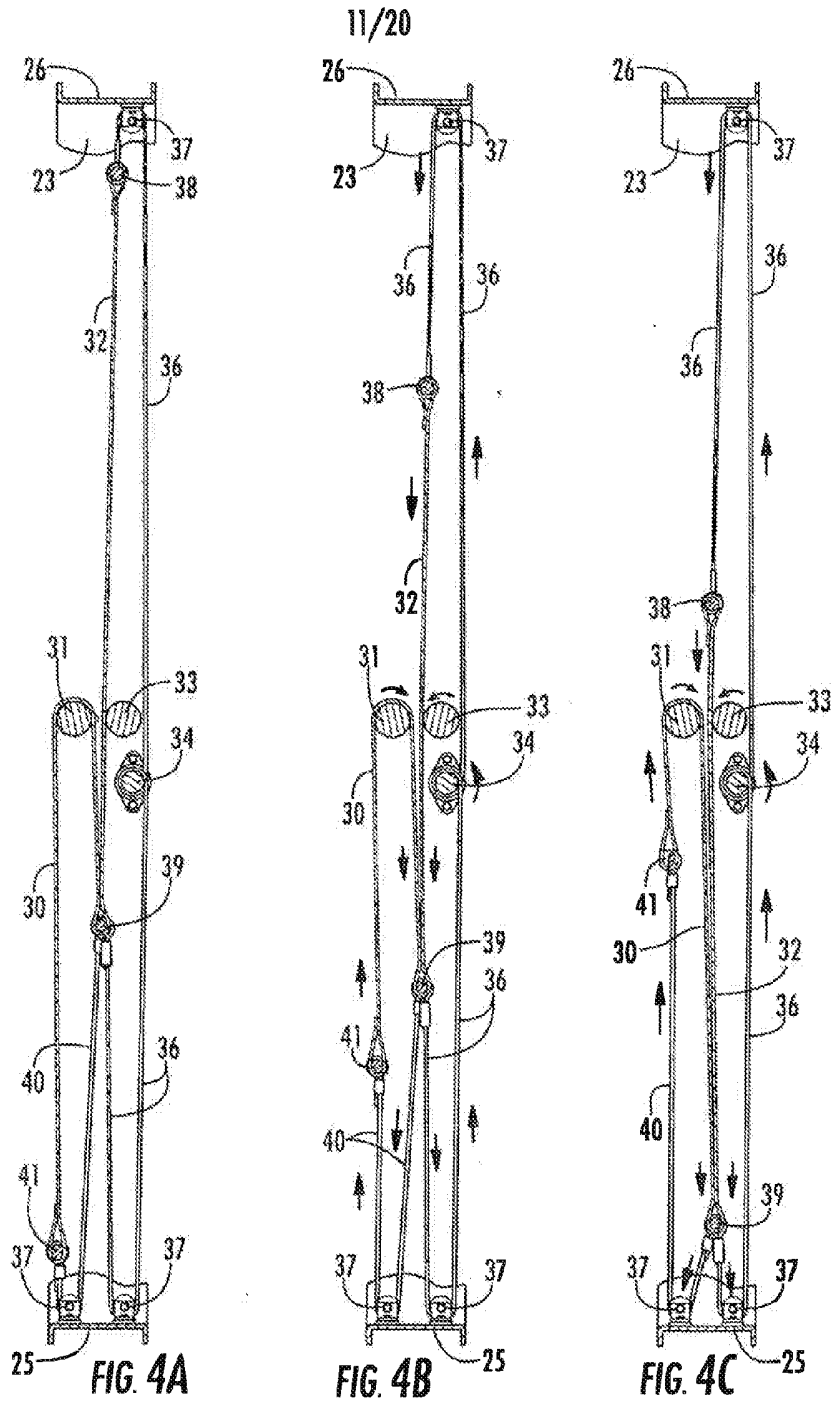


FIG. 3E

10/20





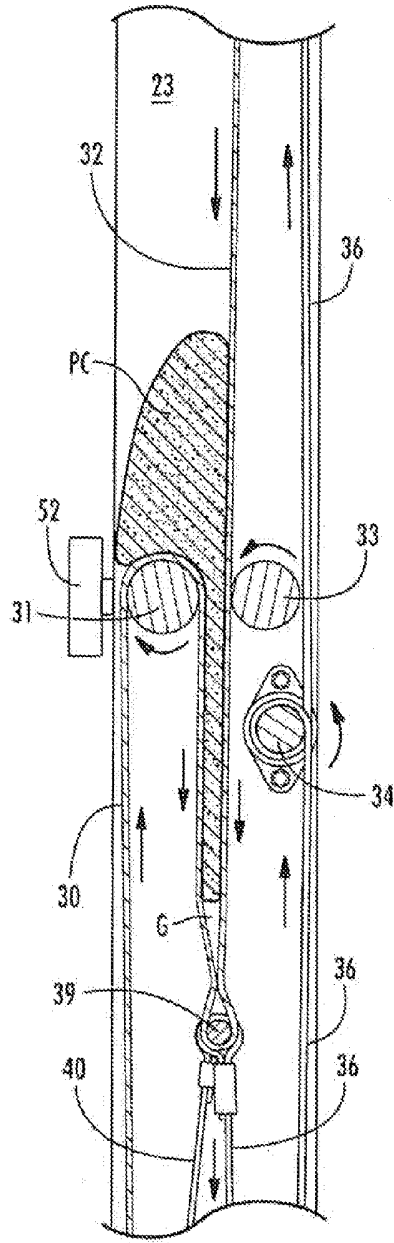


FIG. 5A

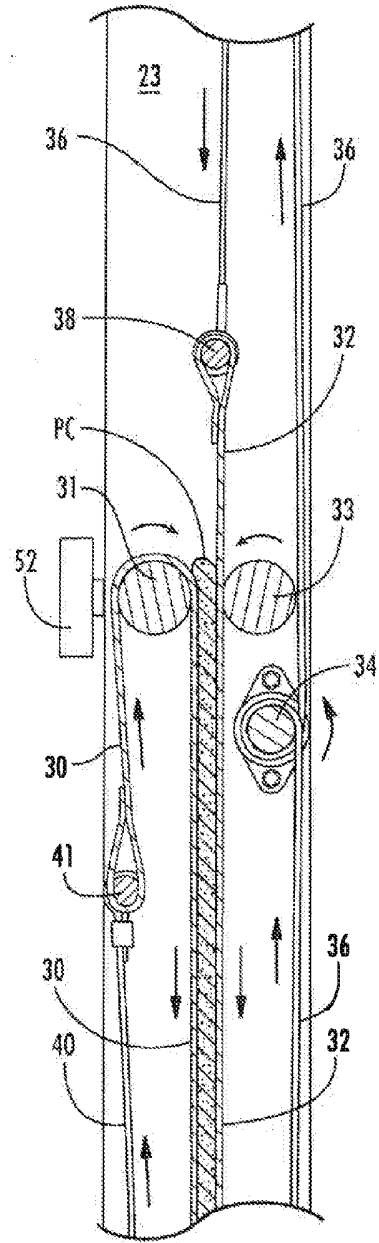


FIG. 5B

13/20

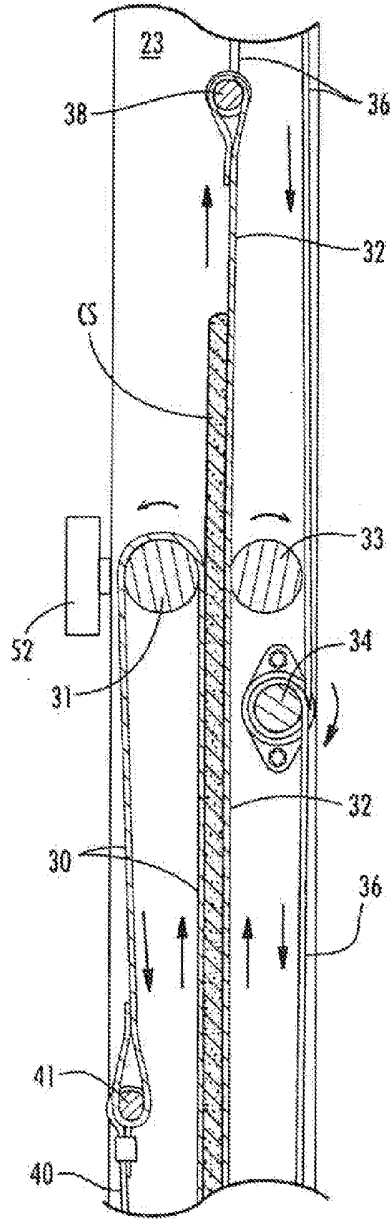


FIG. 5C



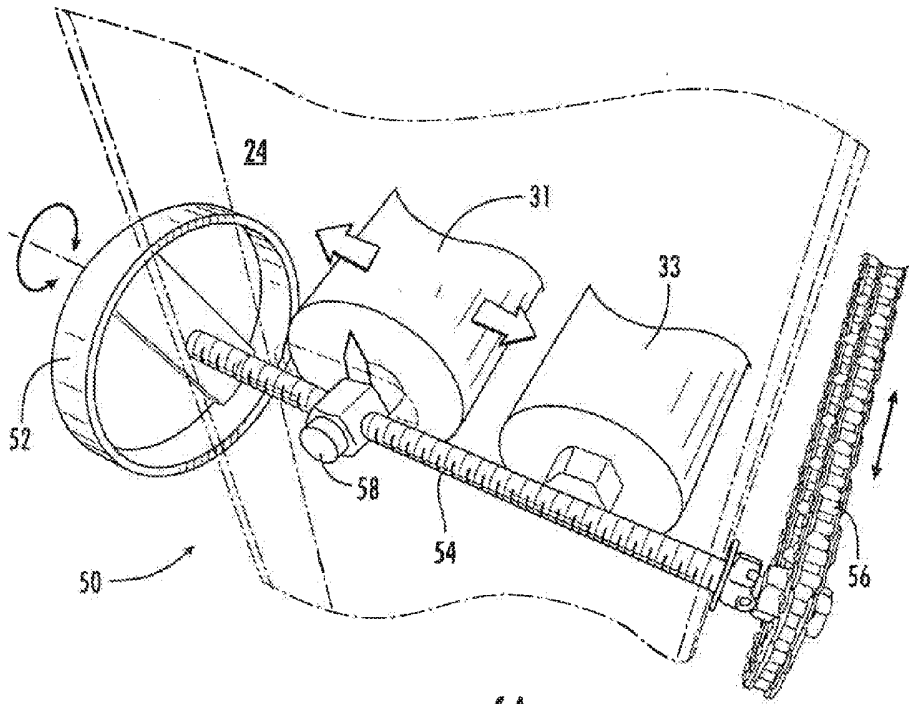


FIG. 6A

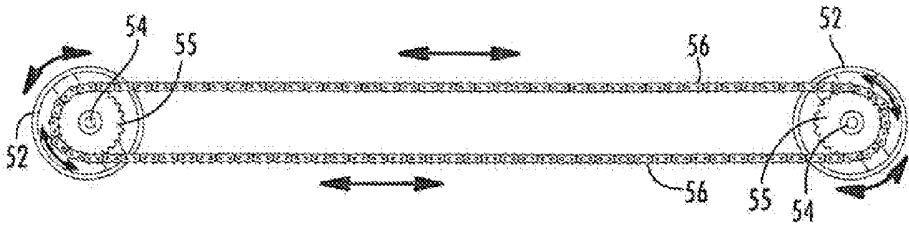


FIG. 6B

15/20

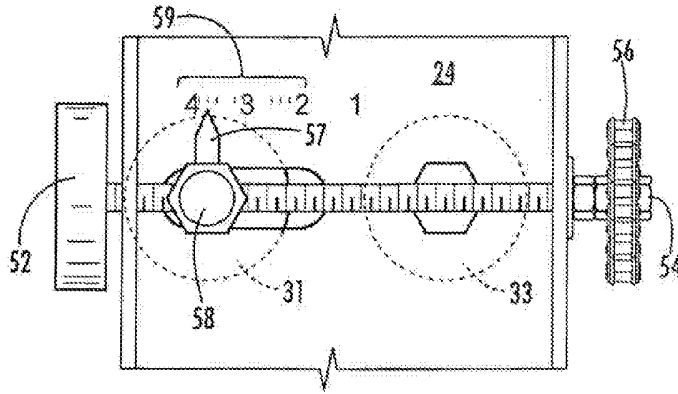


FIG. 7A

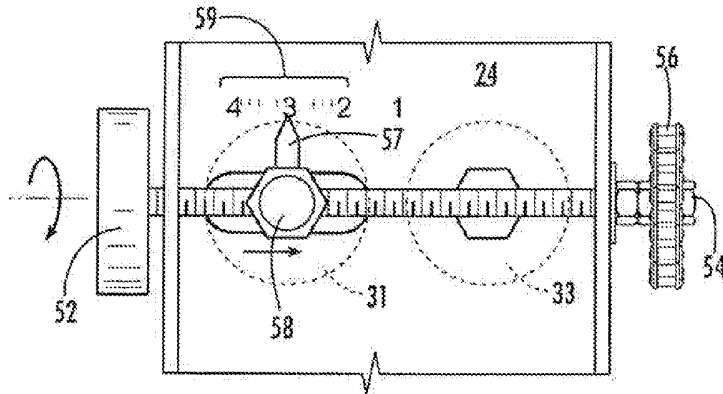


FIG. 7B

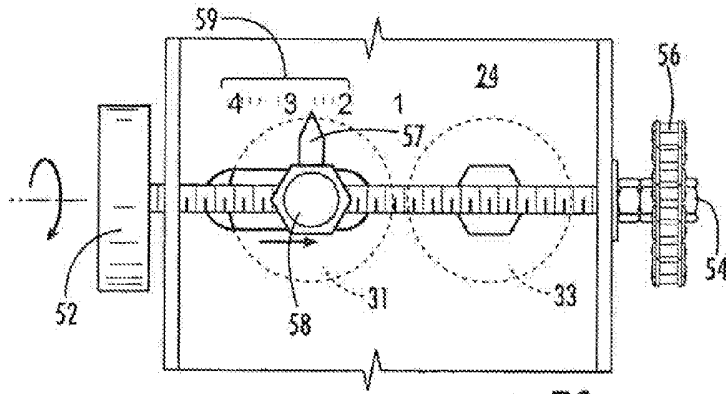
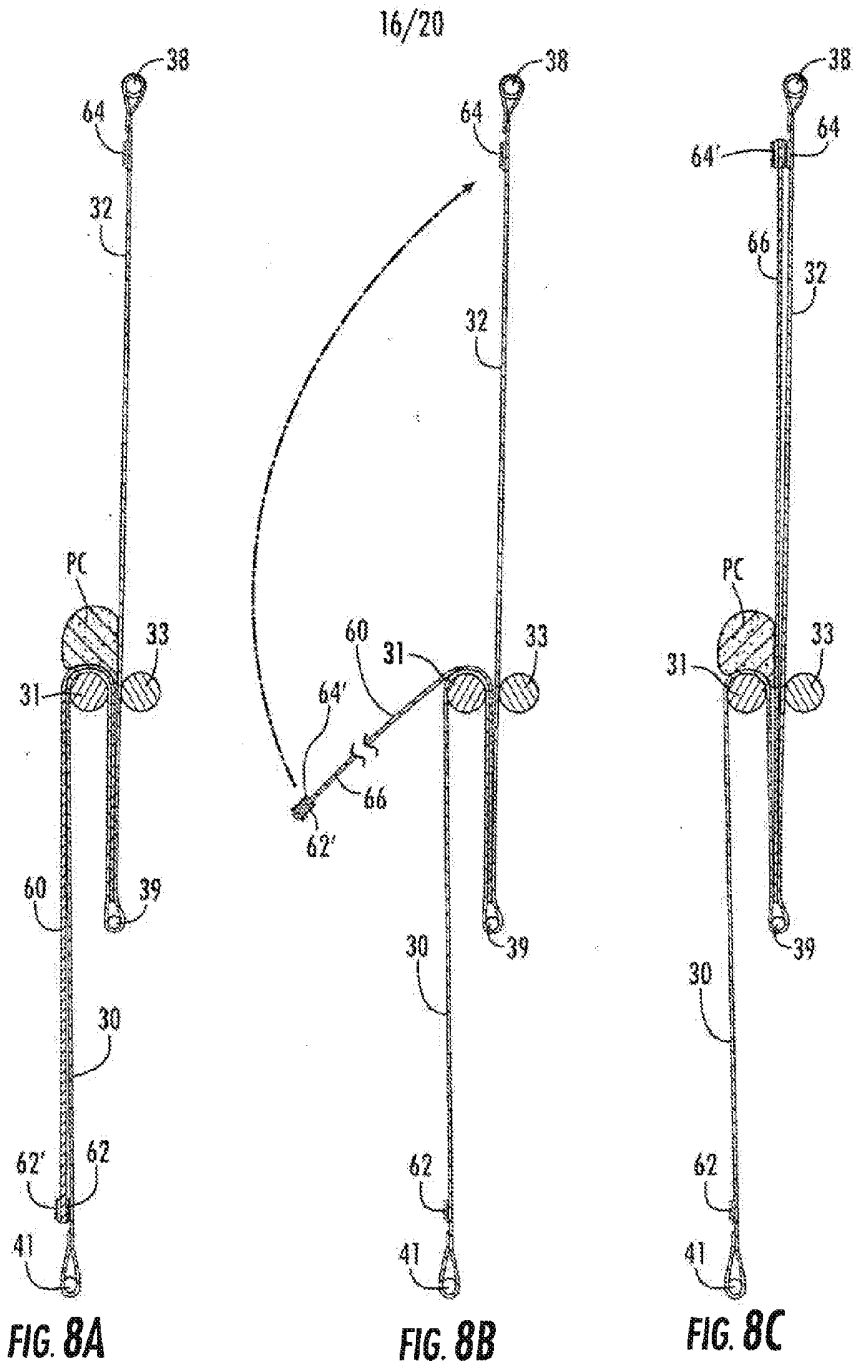
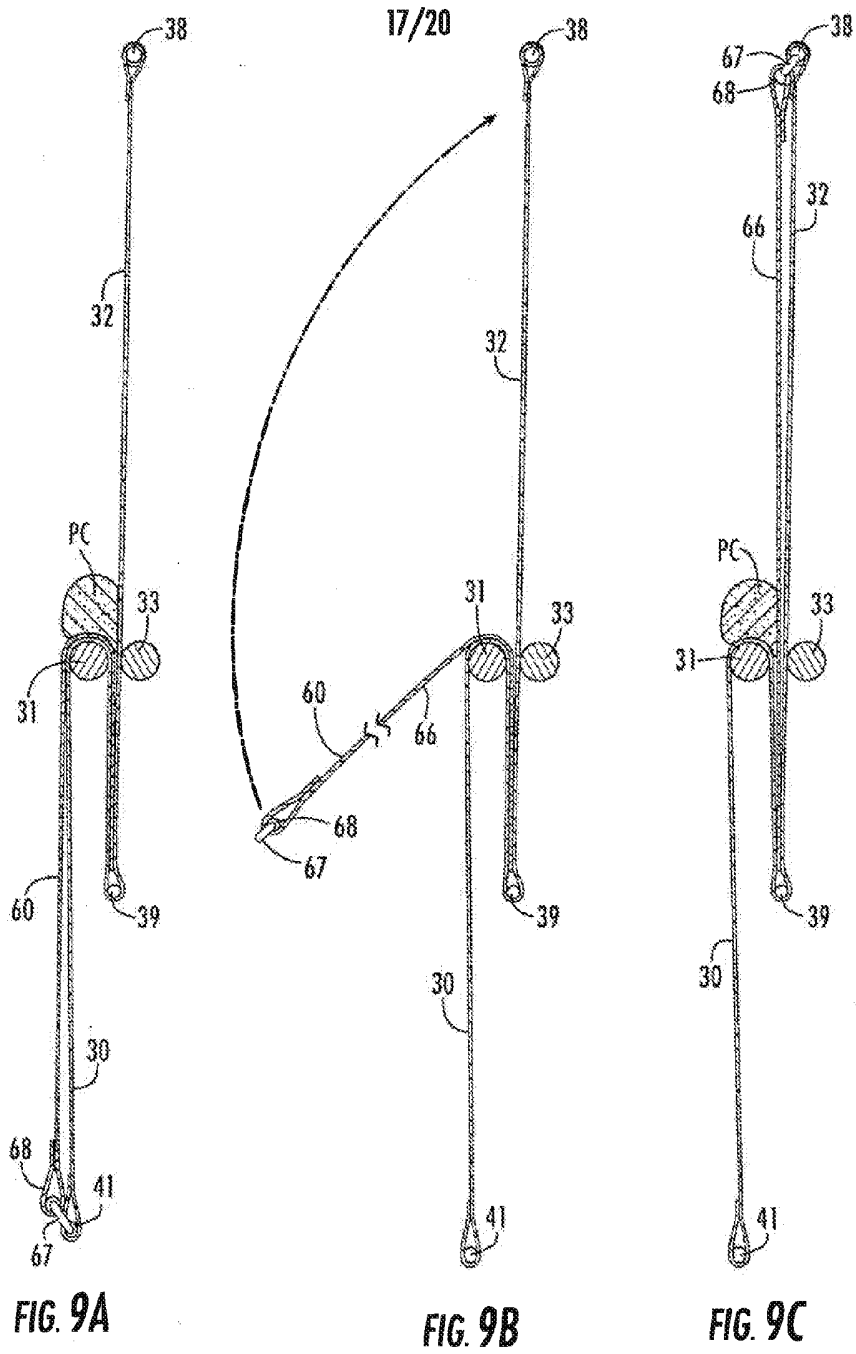


FIG. 7C





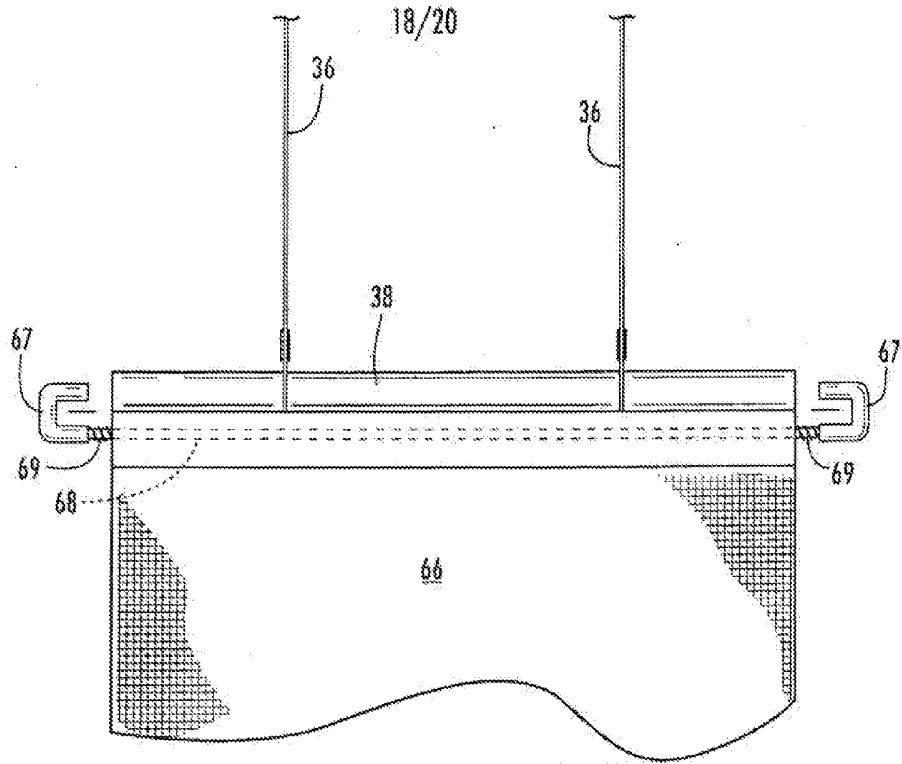


FIG. 10

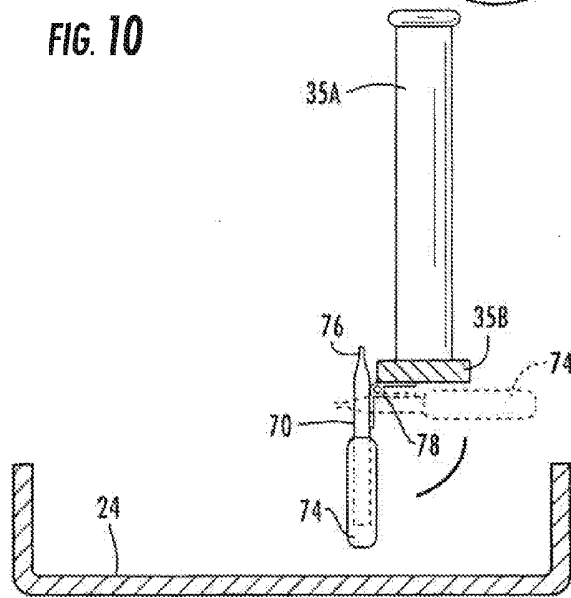


FIG. 13

19/20

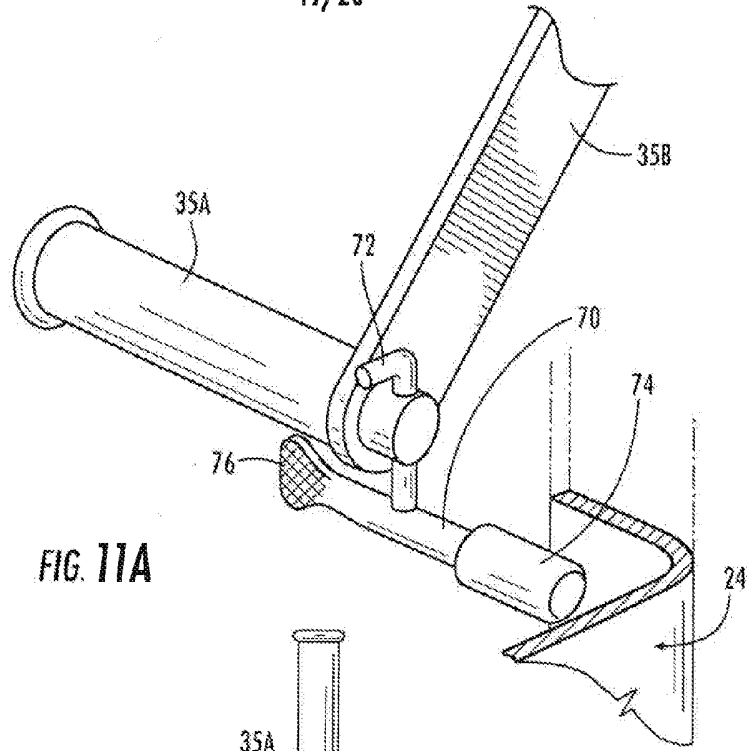


FIG. 11A

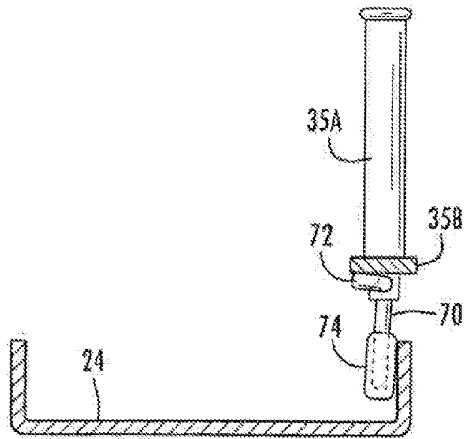


FIG. 11B

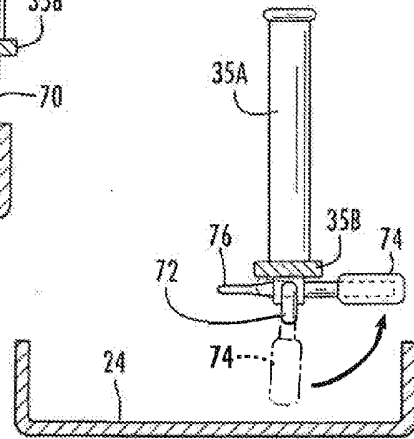


FIG. 11C

20/20

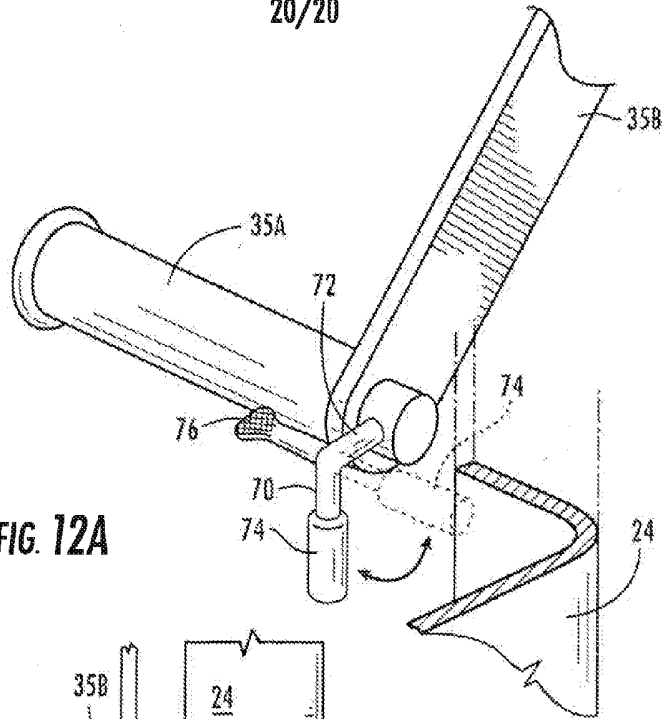


FIG. 12A

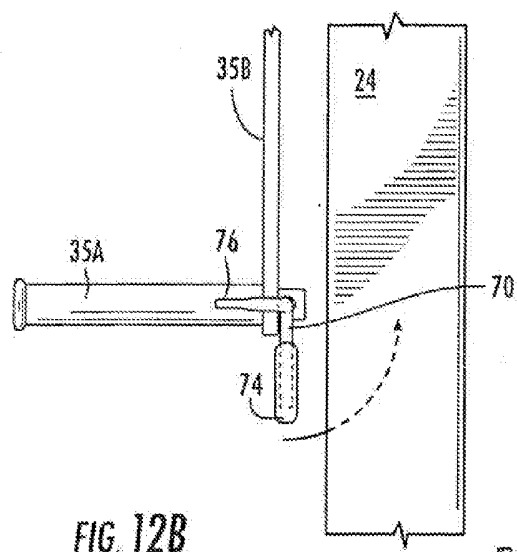


FIG. 12B

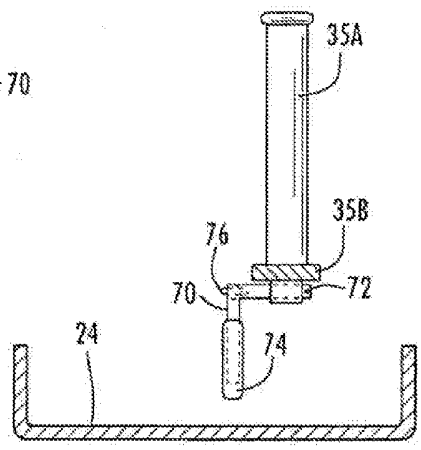


FIG. 12C