



(11) **EP 1 875 009 B1**

(12) **EUROPEAN PATENT SPECIFICATION**

(45) Date of publication and mention
of the grant of the patent:

06.01.2010 Bulletin 2010/01

(21) Application number: **06726926.6**

(22) Date of filing: **26.04.2006**

(51) Int Cl.:

E04D 1/30 (2006.01)

(86) International application number:

PCT/GB2006/001544

(87) International publication number:

WO 2006/114634 (02.11.2006 Gazette 2006/44)

(54) **ROOF TILES**

DACHZIEGEL

TUILES DE TOITURE

(84) Designated Contracting States:
**AT BE BG CH CY CZ DE DK EE ES FI FR GB GR
HU IE IS IT LI LT LU LV MC NL PL PT RO SE SI
SK TR**

(30) Priority: **28.04.2005 GB 0508650**

(43) Date of publication of application:
09.01.2008 Bulletin 2008/02

(73) Proprietor: **Monier Technical Centre Limited
Crawley
West Sussex RH10 9NZ (GB)**

(72) Inventors:
• **SCHREIVER, Martin
74722 Buchen (DE)**

• **GEORGE, Gary
Redhill,
Surrey RH11 5AG (GB)**

(74) Representative: **Gambell, Derek
Graham Watt & Co LLP
St Botolph's House
7-9 St Botolph's Road
Sevenoaks
Kent TN13 3AJ (GB)**

(56) References cited:
**WO-A-01/36764 CH-A- 185 863
DE-U1- 29 605 344 GB-A- 140 869**

Note: Within nine months of the publication of the mention of the grant of the European patent in the European Patent Bulletin, any person may give notice to the European Patent Office of opposition to that patent, in accordance with the Implementing Regulations. Notice of opposition shall not be deemed to have been filed until the opposition fee has been paid. (Art. 99(1) European Patent Convention).

EP 1 875 009 B1

(19) World Intellectual Property Organization
International Bureau



(43) International Publication Date
2 November 2006 (02.11.2006)

PCT

(10) International Publication Number
WO 2006/114634 A1

(51) International Patent Classification:
E04D 11/30 (2006.01)

(21) International Application Number:
PCT/GB2006/001544

(22) International Filing Date: 26 April 2006 (26.04.2006)

(25) Filing Language: English

(26) Publication Language: English

(30) Priority Data:
0508650.9 28 April 2005 (28.04.2005) GB

(71) Applicant (for all designated States except US): LA-FARGE ROOFING TECHNICAL CENTERS LIMITED [GB/GB]; Sussex Manor Business Park, Gatwick Road, Crawley, West Sussex RH10 9NZ (GB).

(72) Inventors; and

(75) Inventors/Applicants (for US only): SCHREIVER, Martin [DE/DE]; Bannwinkelstrasse 26, 74722 Buchen (DE). GEORGE, Gary [GB/GB]; 10 Wimbourne Avenue, Redhill, Surrey RH11 5AG (GB).

(74) Agents: GREENWOOD, John, David et al.; Graham Watt & Co LLP, St Botolph's House, 7-9 St Botolph's Road, Sevenoaks TN13 3AJ (GB).

(81) Designated States (unless otherwise indicated, for every kind of national protection available): AE, AG, AL, AM, AT, AU, AZ, BA, BB, BG, BR, BW, BY, BZ, CA, CH, CN, CO, CR, CU, CZ, DE, DK, DM, DZ, EC, EE, EG, ES, FI, GB, GD, GE, GH, GM, HR, HU, ID, IL, IN, IS, JP, KE, KG, KM, KN, KP, KR, KZ, LC, LK, LR, LS, LT, LU, LV, LY, MA, MD, MG, MK, MN, MW, MX, MZ, NA, NG, NI, NO, NZ, OM, PG, PH, PL, PT, RO, RU, SC, SD, SE, SG, SK, SL, SM, SY, TJ, TM, TN, TR, TT, TZ, UA, UG, US, UZ, VC, VN, YU, ZA, ZM, ZW.

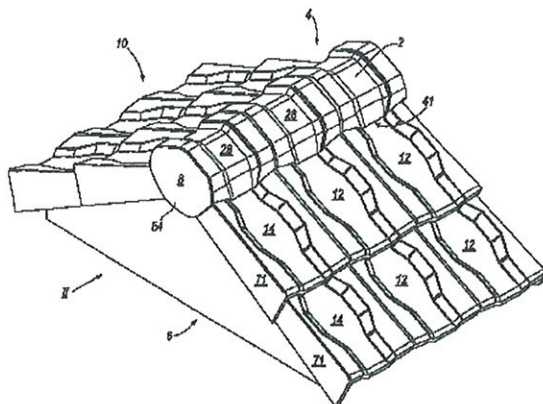
(84) Designated States (unless otherwise indicated, for every kind of regional protection available): ARIPO (BW, GH, GM, KE, LS, MW, MZ, NA, SD, SL, SZ, TZ, UG, ZM, ZW), Eurasian (AM, AZ, BY, KG, KZ, MD, RU, TJ, TM), European (AT, BE, BG, CH, CY, CZ, DE, DK, EE, ES, FI, FR, GB, GR, HU, IE, IS, IT, LT, LU, LV, MC, NL, PL, PT, RO, SE, SI, SK, TR), OAPI (BF, BJ, CF, CG, CI, CM, GA, GN, GQ, GW, ML, MR, NE, SN, TD, TG).

Published:

- with international search report
- with amended claims

For two-letter codes and other abbreviations, refer to the "Guidance Notes on Codes and Abbreviations" appearing at the beginning of each regular issue of the PCT Gazette.

(54) Title: ROOF TILES



(57) Abstract: An integrated set of roof tiles comprises a main roof tile (12) of rectangular shape in plan, which is provided with interlocking side-lock portions (58, 60) at opposite side edges thereof. The roof tile (12) also has a flat, bottomed channel (62) with sloping side walls (68, 70), the channel (62) extending from a toe to head end of the main roof tile (12). The channel (62) has a widening towards the middle of its length. The set of roof tiles also comprises a ridge tile (2), which is substantially of half round configuration and is provided with a channel (24) having sloping side walls (30,32), the channel (24) extending over the ridge tile to continue the configuration of the main roof tiles (12). The ridge tiles (2) are also provided with protuberances (42) at lower edges that engage in use with upper faces of the topmost roof tiles (12) on either side of an apex (4) of a roof (6), which protuberances (42) define a ventilation opening (41) between the ridge tiles (2) and the topmost roof tiles (12). Pervious sealing members, provided by grills, strips of foam or a combination thereof are attached to the ridge tiles (2) to bridge the ventilation openings (41) and facilitate the fast assembly of the ridge of a roof. The set of tiles, which also includes ridge end caps (8) and verge tiles (14), are moulded from concrete and have a density of between 2.11 to 2.16 g/cm³ and a durability of over 400DIN freeze/thaw cycles.

WO 2006/114634 A1