



US00D641499S

(12) **United States Design Patent**  
**Turner**

(10) **Patent No.:** **US D641,499 S**

(45) **Date of Patent:** **\*\* Jul. 12, 2011**

(54) **REPLACEMENT COVER FOR BRICK MOLDING**

6,857,232 B2 2/2005 Bealko  
6,883,276 B1 4/2005 Hannan et al.  
D537,962 S 3/2007 Habeck et al.  
2004/0177565 A1 9/2004 Wesdock

(76) Inventor: **Burl Turner**, Shelby, NC (US)

\* cited by examiner

(\*\*) Term: **14 Years**

*Primary Examiner* — Doris Clark

(21) Appl. No.: **29/362,692**

(74) *Attorney, Agent, or Firm* — Montgomery Patent and Design; Robert C. Montgomery; Joseph T. Yaksich

(22) Filed: **May 28, 2010**

(51) **LOC (9) Cl.** ..... **25-01**

(57) **CLAIM**

The ornamental design for a replacement cover for brick molding, as shown and described.

(52) **U.S. Cl.** ..... **D25/119; D25/136**

(58) **Field of Classification Search** ..... D25/119,

D25/136; 52/212, 217, 211, 290, 287.1

See application file for complete search history.

**DESCRIPTION**

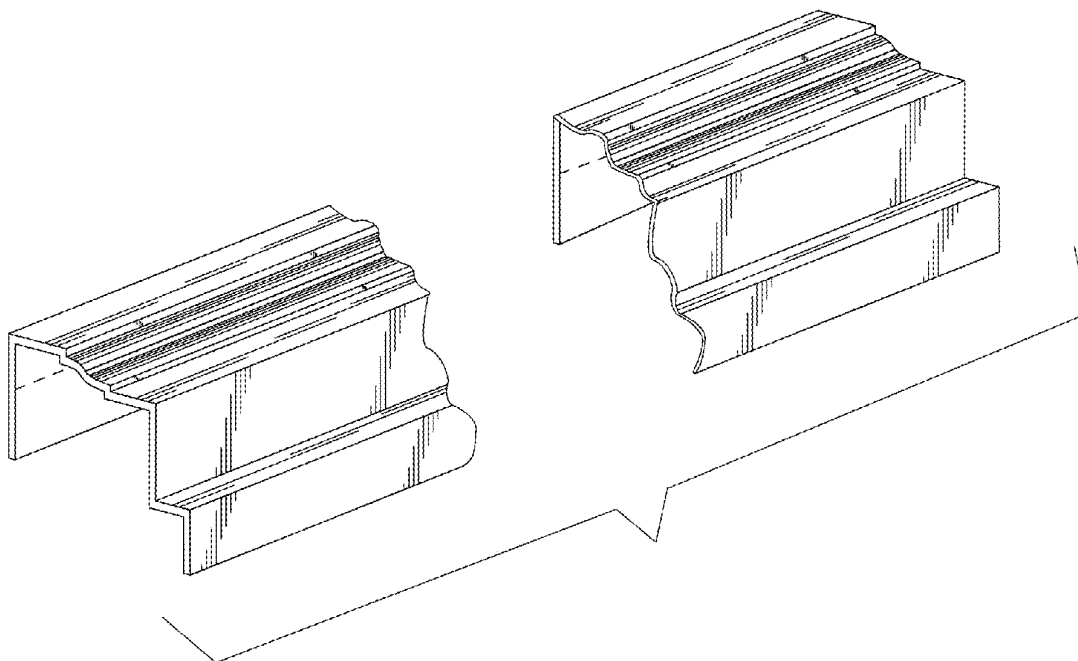
(56) **References Cited**

FIG. 1 is a broken away front perspective view of a replacement cover for brick molding, showing my new design; FIG. 2 is a left side view thereof with a right side view being the mirror image; FIG. 3 is a broken away front view thereof; FIG. 4 is a broken away rear view thereof; FIG. 5 is a broken away top view thereof; and, FIG. 6 is a broken away bottom view thereof. FIGS. 1 and 3 through 6 are broken away to indicate indeterminate length. The broken lines are shown in FIG. 1 are for illustrative purposes only and from no part of the claimed design.

U.S. PATENT DOCUMENTS

4,193,238	A	3/1980	Chalmers et al.	
4,341,048	A	7/1982	Minter	
5,157,881	A	10/1992	Tashman et al.	
5,551,201	A	9/1996	Anderson	
5,653,072	A	8/1997	Seelandt-Stasek et al.	
5,717,019	A	2/1998	Vanderpool et al.	
5,787,667	A *	8/1998	Sheahan et al.	52/315
6,050,037	A *	4/2000	Gifford	52/211
6,360,500	B1	3/2002	Wilcox	
6,631,595	B1	10/2003	Minter	
D489,137	S *	4/2004	Eichner et al.	D25/119

**1 Claim, 6 Drawing Sheets**



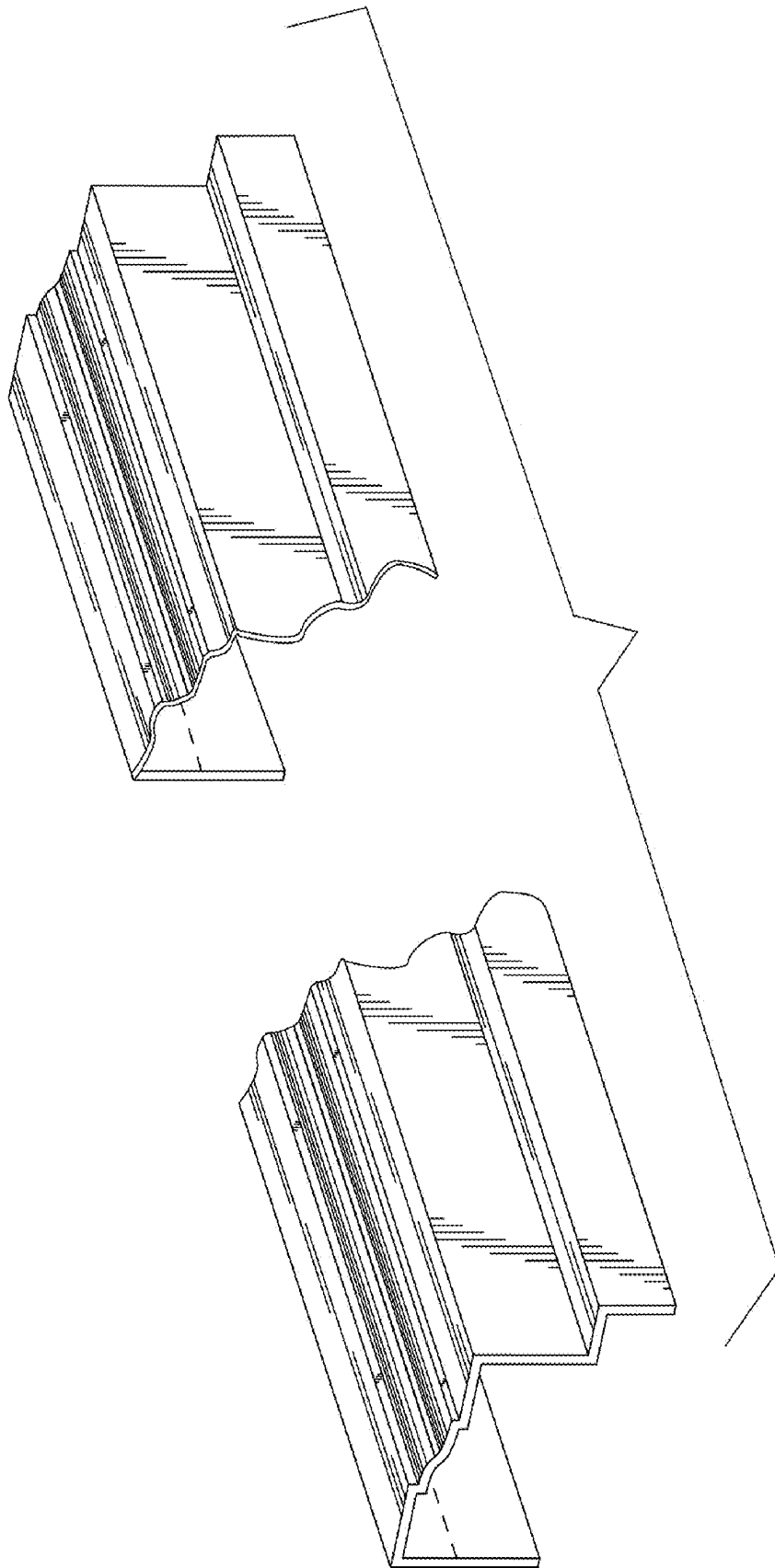


Fig. 1

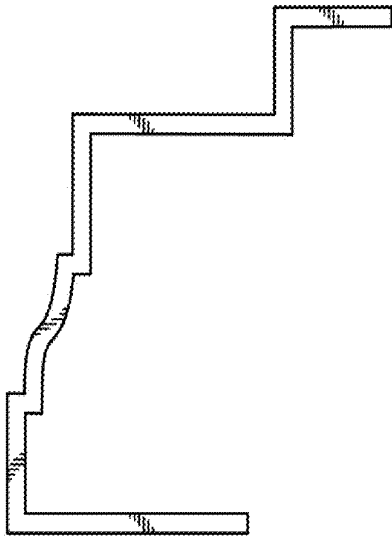


Fig. 2

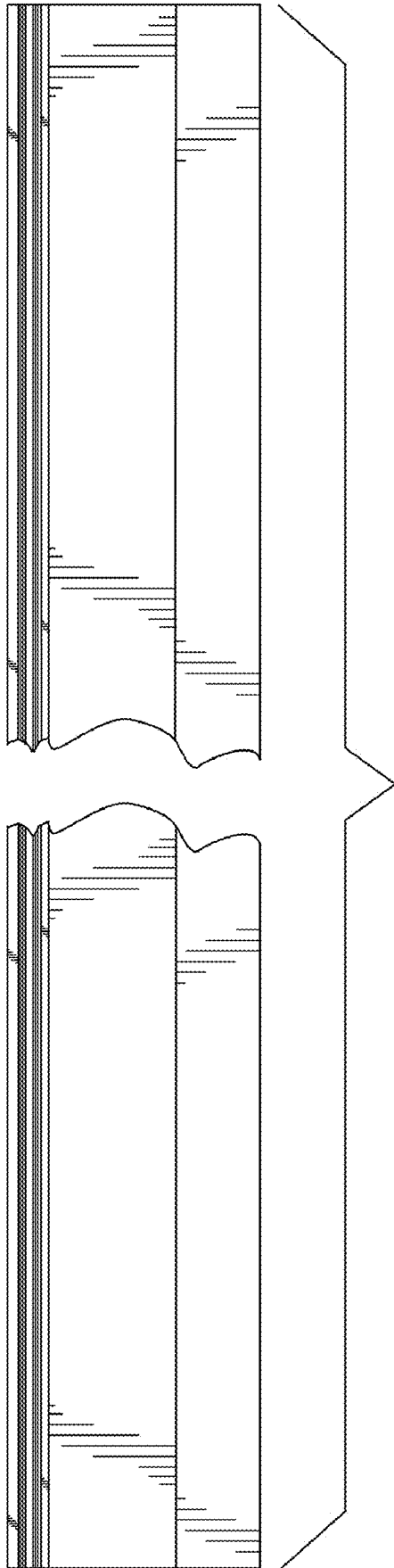


Fig. 3

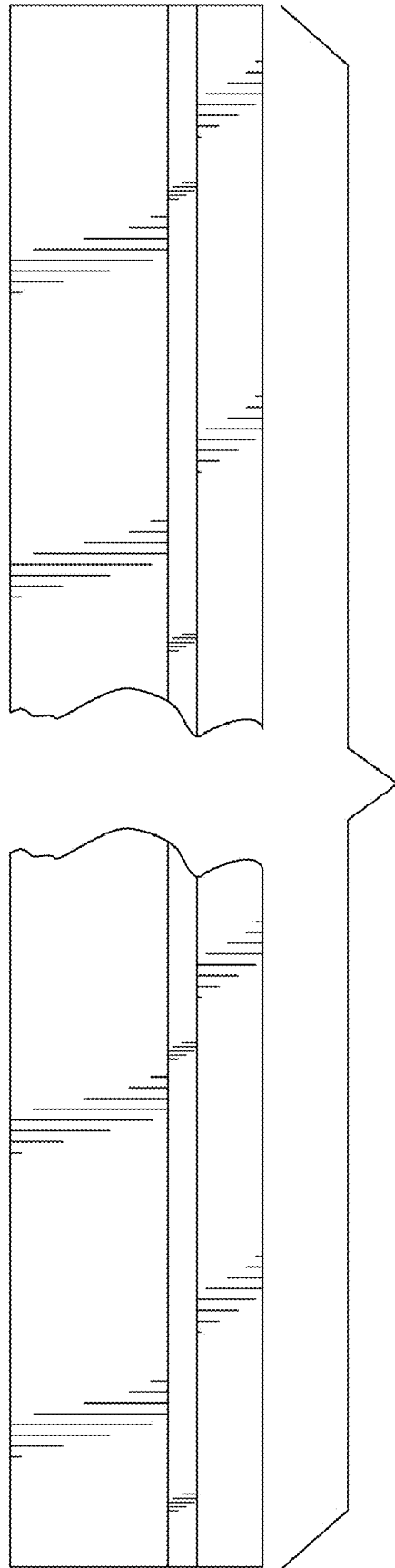


Fig. 4

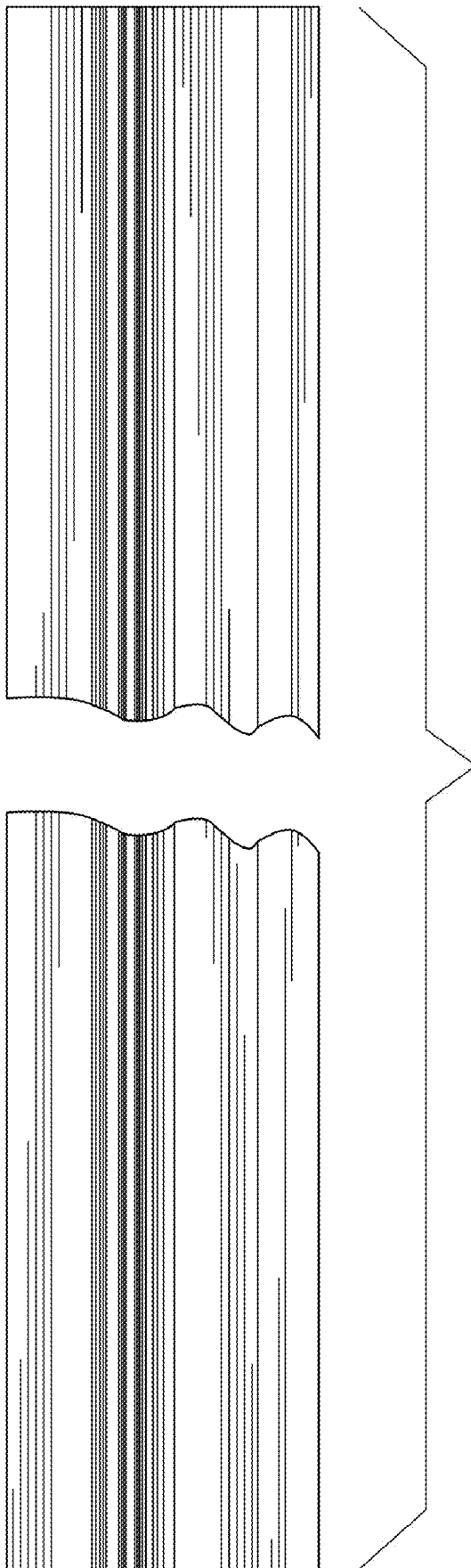


Fig. 5

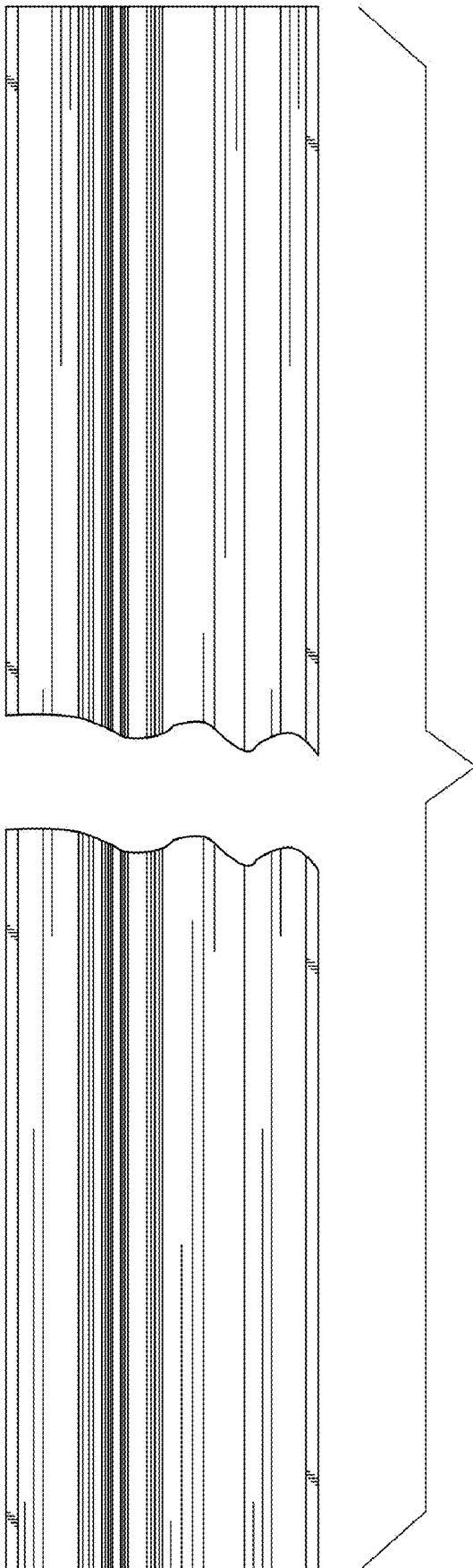


Fig. 6