



US00D648444S

(12) **United States Design Patent**
Gauthier et al.

(10) **Patent No.:** **US D648,444 S**

(45) **Date of Patent:** **** Nov. 8, 2011**

(54) **BRICK**

(75) Inventors: **Simon Gauthier**, Rosemere (CA);
Antonio Parreira, Le Gardeur (CA)

(73) Assignee: **Novabizik International Inc.**, Montreal,
Quebec (CA)

(**) Term: **14 Years**

(21) Appl. No.: **29/383,743**

(22) Filed: **Jan. 21, 2011**

(51) **LOC (9) Cl.** **25-01**

(52) **U.S. Cl.** **D25/113**

(58) **Field of Classification Search** D25/102,
D25/112-118, 136, 138, 151, 152, 158, 162,
D25/164, 199; D21/484-491, 499-504;
405/16, 284, 286; 52/503-505, 574, 575,
52/596-612, 279, 284, 287.1, 288.1, 290;
404/27-42; 47/33

See application file for complete search history.

(56) **References Cited**

U.S. PATENT DOCUMENTS

866,360 A * 9/1907 Hill 52/503
D332,149 S * 12/1992 Bartlett D25/136

D397,780 S * 9/1998 Chandaria D23/409
D419,692 S * 1/2000 Ancel D25/119
6,108,995 A * 8/2000 Bouchard et al. 52/609
D447,577 S * 9/2001 Gardner D25/136
D456,527 S * 4/2002 Azar D25/113
D481,135 S * 10/2003 Dean et al. D25/113
D621,071 S * 8/2010 Elliott D25/113

* cited by examiner

Primary Examiner — Anhdao Doan

(74) *Attorney, Agent, or Firm* — Francois Cartier; Robert
Brouillette; Brouillette & Partners

(57) **CLAIM**

The ornamental design for a brick, as shown.

DESCRIPTION

FIG. 1 is a perspective view of the brick;
FIG. 2 is a front view of the brick;
FIG. 3 is a rear view of the brick;
FIG. 4 is a left side view of the brick;
FIG. 5 is a right side view of the brick;
FIG. 6 is a bottom view of the brick; and,
FIG. 7 is a top view of the brick.

1 Claim, 7 Drawing Sheets

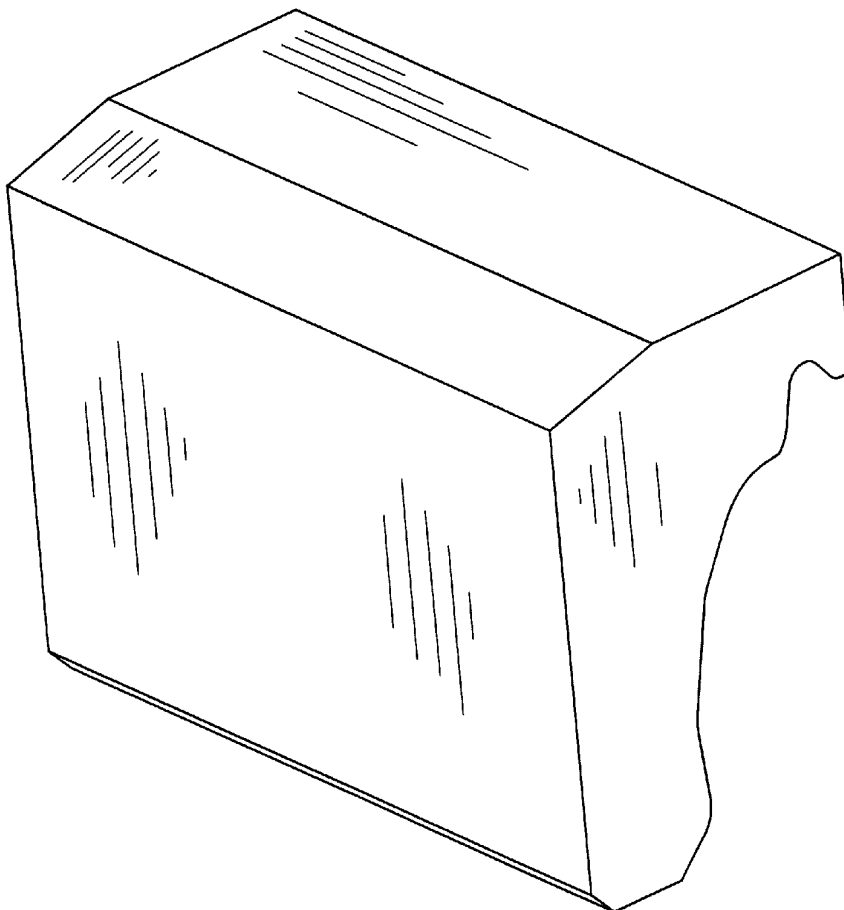


FIG. 1

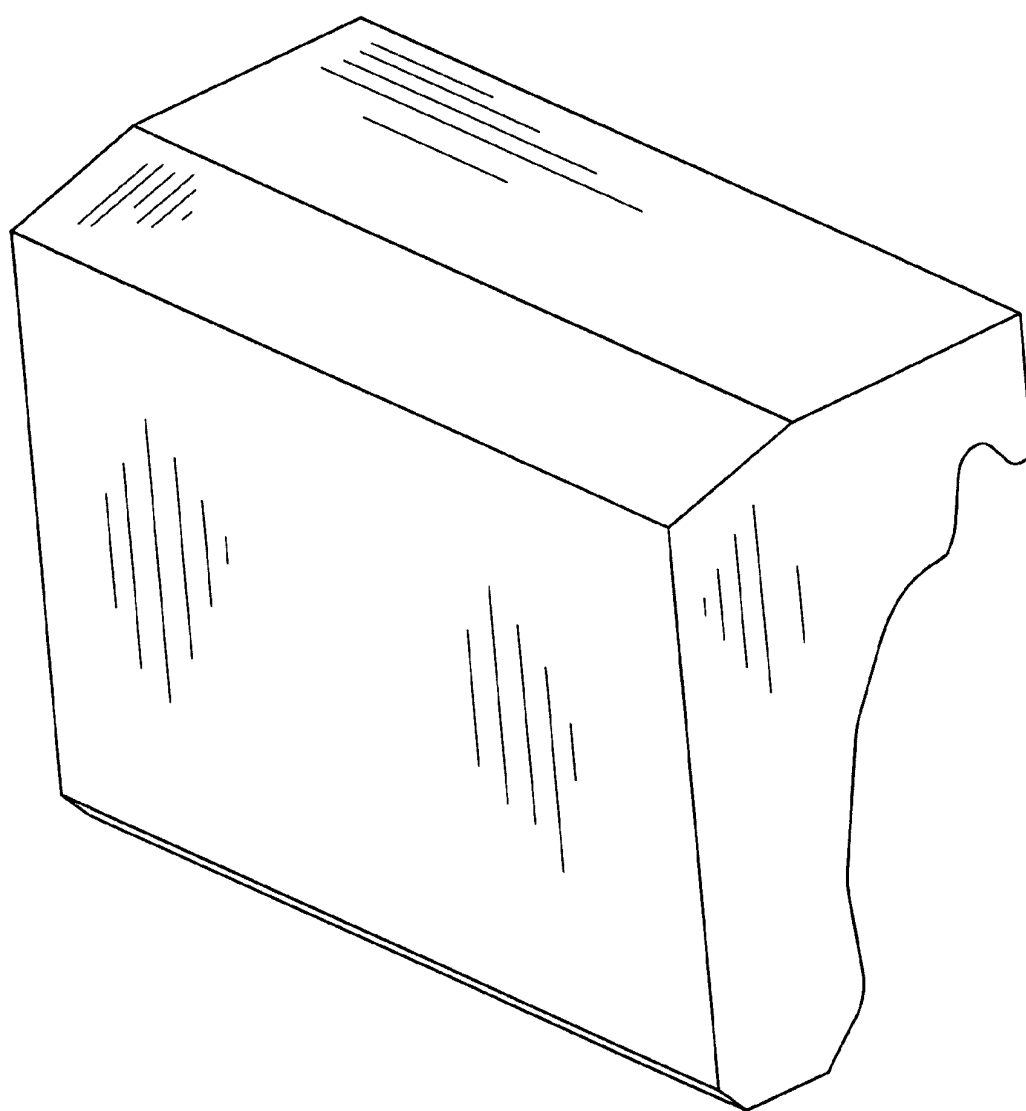


FIG. 2

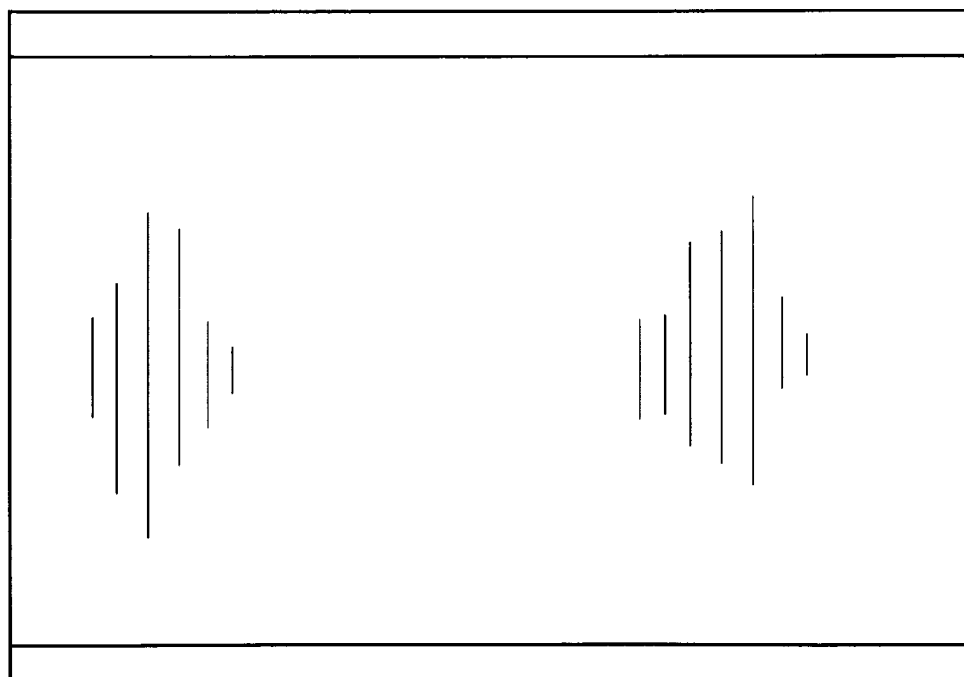


FIG. 3

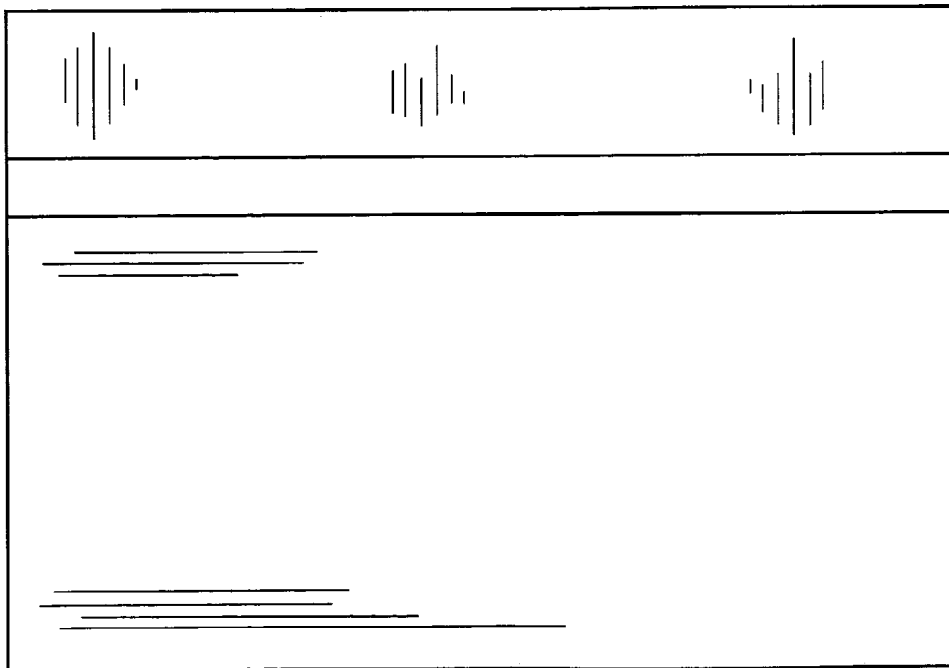


FIG. 4

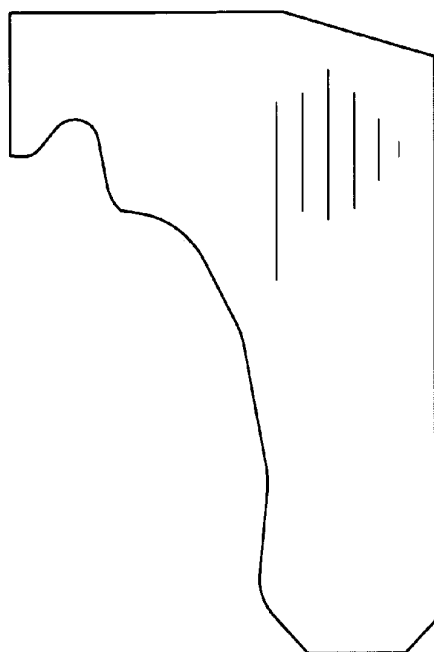


FIG. 5

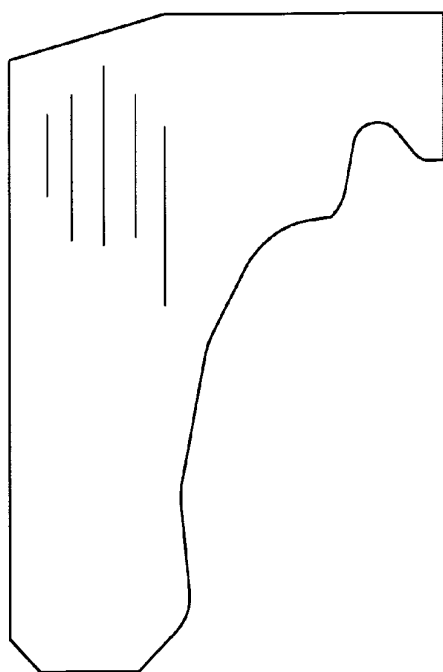


FIG. 6

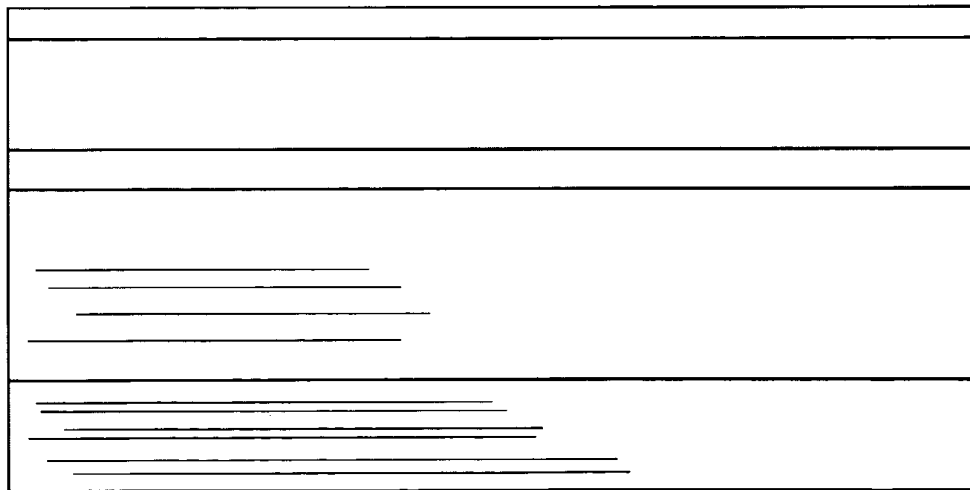


FIG. 7

