



(51) International Patent Classification:

E04B 2/02 (2006.01) E04C 2/288 (2006.01)
E04B 2/42 (2006.01)

(21) International Application Number:

PCT/FI2010/051070

(22) International Filing Date:

21 December 2010 (21.12.2010)

(25) Filing Language:

Finnish

(26) Publication Language:

English

(30) Priority Data:

20096381 22 December 2009 (22.12.2009) FI

(71) Applicant (for all designated States except US): **IBRIQ OY** [FI/FI]; Mahlarinne 18 C, FI-02130 Espoo (FI).

(72) Inventors; and

(75) Inventors/Applicants (for US only): **IMMONEN, Veli-Pekka** [FI/FI]; Turuntie 20 as 6, FI-13130 Hämeenlinna (FI). **TANSKANEN, Mika** [FI/FI]; Honkarinne 14, FI-13270 Hämeenlinna (FI).

(74) Agent: **SALOMAKI OY**; Kankurinkatu 4-6, FI-05800 Hyvinkää (FI).

(81) Designated States (unless otherwise indicated, for every kind of national protection available): AE, AG, AL, AM, AO, AT, AU, AZ, BA, BB, BG, BH, BR, BW, BY, BZ,

CA, CH, CL, CN, CO, CR, CU, CZ, DE, DK, DM, DO, DZ, EC, EE, EG, ES, FI, GB, GD, GE, GH, GM, GT, HN, HR, HU, ID, IL, IN, IS, JP, KE, KG, KM, KN, KP, KR, KZ, LA, LC, LK, LR, LS, LT, LU, LY, MA, MD, ME, MG, MK, MN, MW, MX, MY, MZ, NA, NG, NI, NO, NZ, OM, PE, PG, PH, PL, PT, RO, RS, RU, SC, SD, SE, SG, SK, SL, SM, ST, SV, SY, TH, TJ, TM, TN, TR, TT, TZ, UA, UG, US, UZ, VC, VN, ZA, ZM, ZW.

(84) Designated States (unless otherwise indicated, for every kind of regional protection available): ARIPO (BW, GH, GM, KE, LR, LS, MW, MZ, NA, SD, SL, SZ, TZ, UG, ZM, ZW), Eurasian (AM, AZ, BY, KG, KZ, MD, RU, TJ, TM), European (AL, AT, BE, BG, CH, CY, CZ, DE, DK, EE, ES, FI, FR, GB, GR, HR, HU, IE, IS, IT, LT, LU, LV, MC, MK, MT, NL, NO, PL, PT, RO, RS, SE, SI, SK, SM, TR), OAPI (BF, BJ, CF, CG, CI, CM, GA, GN, GQ, GW, ML, MR, NE, SN, TD, TG).

Published:

- with international search report (Art. 21(3))
- before the expiration of the time limit for amending the claims and to be republished in the event of receipt of amendments (Rule 48.2(h))

(88) Date of publication of the international search report:

25 August 2011

(54) Title: METHOD AND APPARATUS FOR MANUFACTURING A BRICK WALL AND A BRICK WALL STRUCTURE

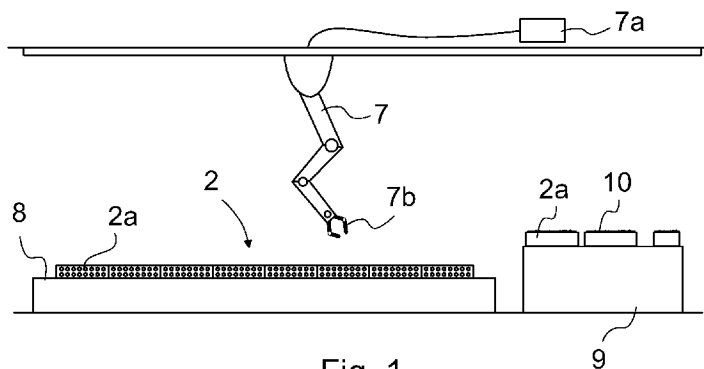


Fig. 1

(57) Abstract: The object of the invention is a method and an apparatus for building a brick wall, and a brick wall structure manufactured according to the method. A brick wall is built from brick wall elements (1) manufactured at the factory, which brick wall elements comprise at least a façade part (2) composed of bricks (2a), thermal insulation (5) and an inner wall part (6) composed of bricks (6a). The brick wall with its wall elements (1) is designed by means of the CAD system and the wall elements (2) forming the wall are manufactured in a CAM-controlled manner at the factory to be at least ready for finishing by means of an actuator (7).

WO 2011/077006 A3

INTERNATIONAL SEARCH REPORT

International application No.

PCT/FI2010/051070

A. CLASSIFICATION OF SUBJECT MATTER See extra sheet According to International Patent Classification (IPC) or to both national classification and IPC		
B. FIELDS SEARCHED Minimum documentation searched (classification system followed by classification symbols) E04B Documentation searched other than minimum documentation to the extent that such documents are included in the fields searched FI, SE, NO, DK Electronic data base consulted during the international search (name of data base and, where practicable, search terms used) EPO-Internal, WPI		
C. DOCUMENTS CONSIDERED TO BE RELEVANT		
Category*	Citation of document, with indication, where appropriate, of the relevant passages	Relevant to claim No.
X	BOCK, Thomas. Construction robotics. Autonomous Robots, Vol 22, No. 3, 2007, pp. 201-209 [online], [retrieved on 2011-06-18]. Retrieved from the Internet <URL: http://www.springerlink.com/content/j67lg4q61775608h/fulltext.pdf >	1, 2, 5, 6
Y	chapters 3-4; fig. 4	3, 4, 7
X	GB 986688 A (REINHOLD MAGNUS ELGENSTIERNA) 24 March 1965 (24.03.1965)	8, 11,
Y	page 2, 1st column, lines 3-19, 32-35 and 41-53; page 2, 2nd column, lines 76-80; fig. 1	9, 10
Y	FR 2485595 A1 (PRB SA) 31 December 1981 (31.12.1981) claims 1, 7; fig. 1-7	4, 10
Y	GB 1433729 A (WINDHOFF RHEINER MASCHF) 28 April 1976 (28.04.1976) claim 1; fig. 1-6	7
<input checked="" type="checkbox"/> Further documents are listed in the continuation of Box C. <input checked="" type="checkbox"/> See patent family annex.		
* Special categories of cited documents: "A" document defining the general state of the art which is not considered to be of particular relevance "E" earlier application or patent but published on or after the international filing date "L" document which may throw doubts on priority claim(s) or which is cited to establish the publication date of another citation or other special reason (as specified) "O" document referring to an oral disclosure, use, exhibition or other means "P" document published prior to the international filing date but later than the priority date claimed		"T" later document published after the international filing date or priority date and not in conflict with the application but cited to understand the principle or theory underlying the invention "X" document of particular relevance; the claimed invention cannot be considered novel or cannot be considered to involve an inventive step when the document is taken alone "Y" document of particular relevance; the claimed invention cannot be considered to involve an inventive step when the document is combined with one or more other such documents, such combination being obvious to a person skilled in the art "&" document member of the same patent family
Date of the actual completion of the international search 20 June 2011 (20.06.2011)		Date of mailing of the international search report 22 June 2011 (22.06.2011)
Name and mailing address of the ISA/FI National Board of Patents and Registration of Finland P.O. Box 1160, FI-00101 HELSINKI, Finland Facsimile No. +358 9 6939 5328		Authorized officer Jukka Honkanen Telephone No. +358 9 6939 500

INTERNATIONAL SEARCH REPORT

International application No.

PCT/FI2010/051070

C (Continuation). DOCUMENTS CONSIDERED TO BE RELEVANT		
Category*	Citation of document, with indication, where appropriate, of the relevant passages	Relevant to claim No.
Y	GB 2393978 A (ANCON LTD) 14 April 2004 (14.04.2004) fig. 13	3, 9

INTERNATIONAL SEARCH REPORT
Information on patent family members

International application No.
PCT/FI2010/051070

Patent document cited in search report	Publication date	Patent family members(s)	Publication date
GB 986688 A	24/03/1965	CH 392020 A NL 277433 A	15/05/1965 30/11/0002
FR 2485595 A1	31/12/1981	NL 8103055 A DE 3124806 A1 BE 889353 A1 LU 82560 A1	18/01/1982 22/04/1982 28/12/1981 20/01/1982
GB 1433729 A	28/04/1976	DD 111319 A1 PL 90777B B1 NL 7404176 A DK 133133B B SE 387397 B CH 578409 A5 DE 2402788 A1 DE 2315136 A1	12/02/1975 31/01/1977 01/10/1974 29/03/1976 06/09/1976 13/08/1976 24/07/1975 16/05/1974
GB 2393978 A	14/04/2004	IE 20030741 A1	21/04/2004

CLASSIFICATION OF SUBJECT MATTER

Int.Cl.

E04B 2/02 (2006.01)

E04B 2/42 (2006.01)

E04C 2/288 (2006.01)